



# *Squirrel Boxes*

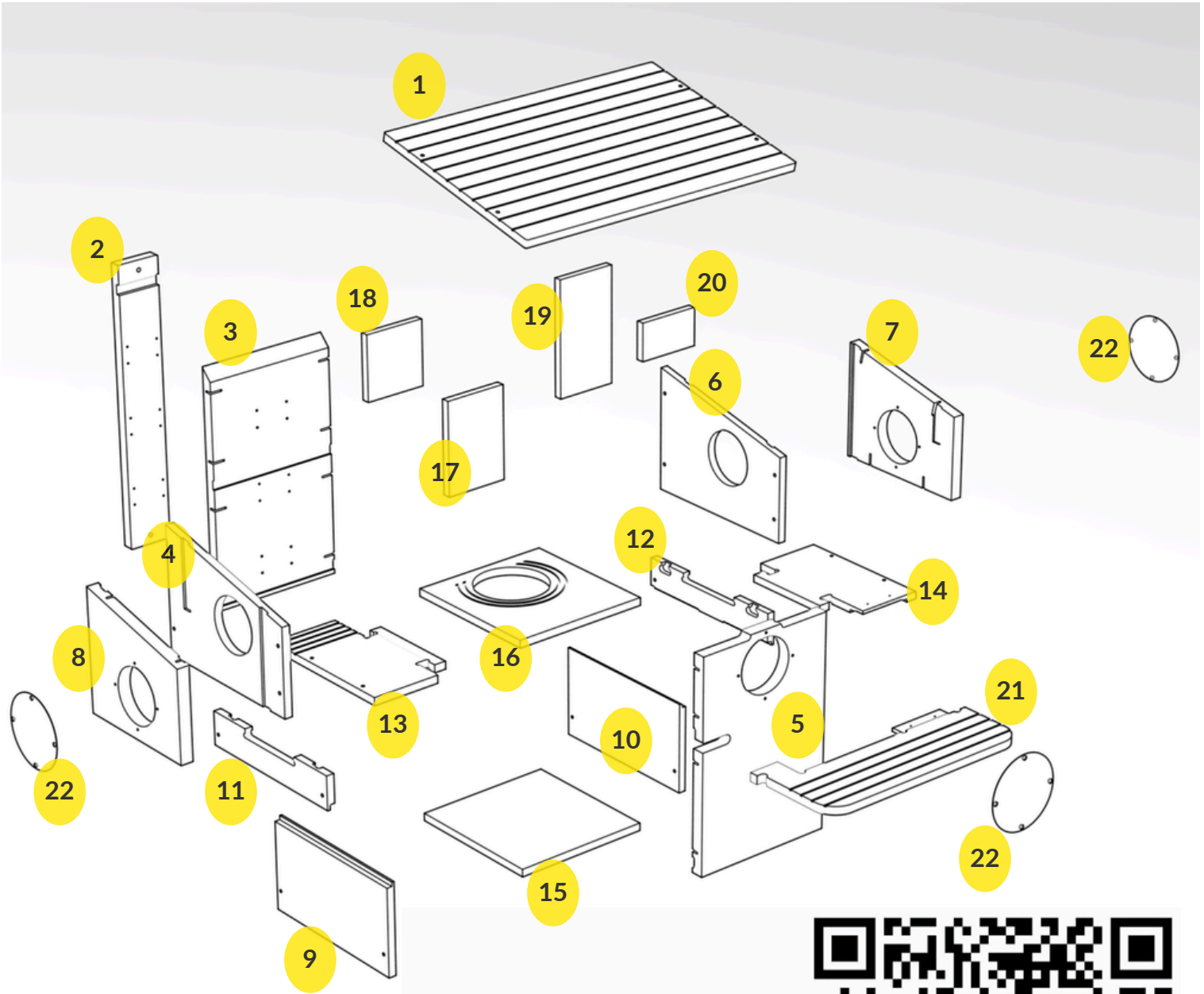
## *Double Entry Retreat Installation Guide*





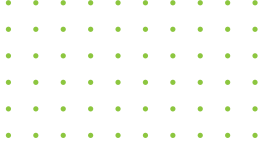
# Double Entry Retreat

## Exploded View



Online Instructions  
Scan Here with  
Camera From Your  
Mobile Device

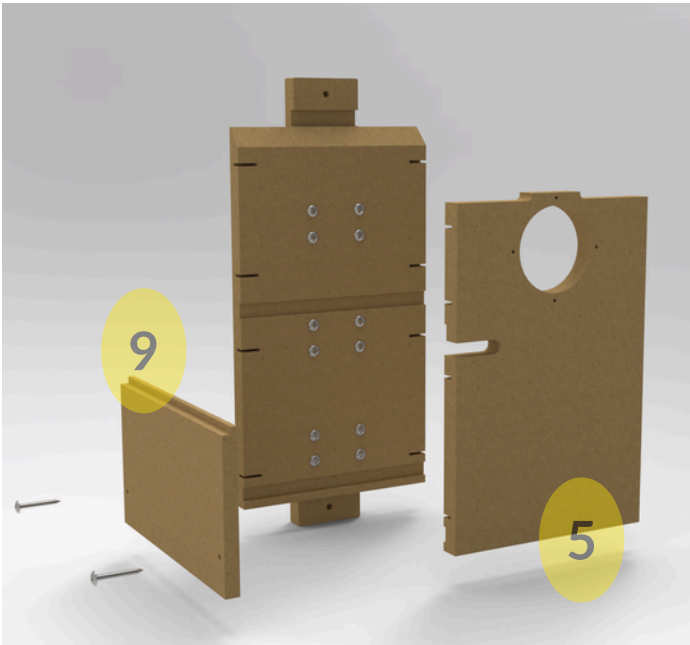




# Installation Guide

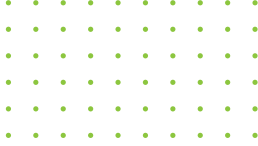


Attach part 2 to part 3

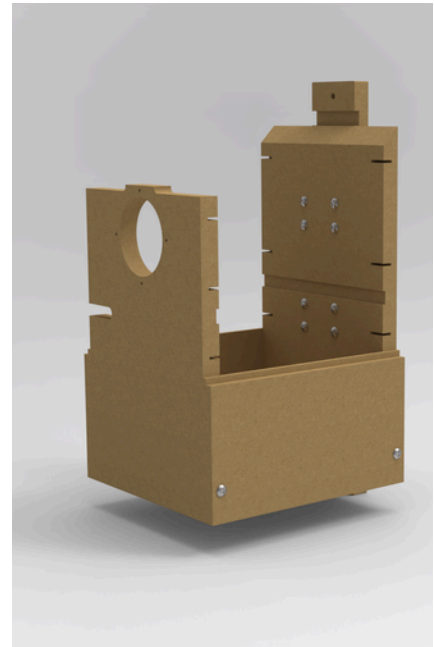
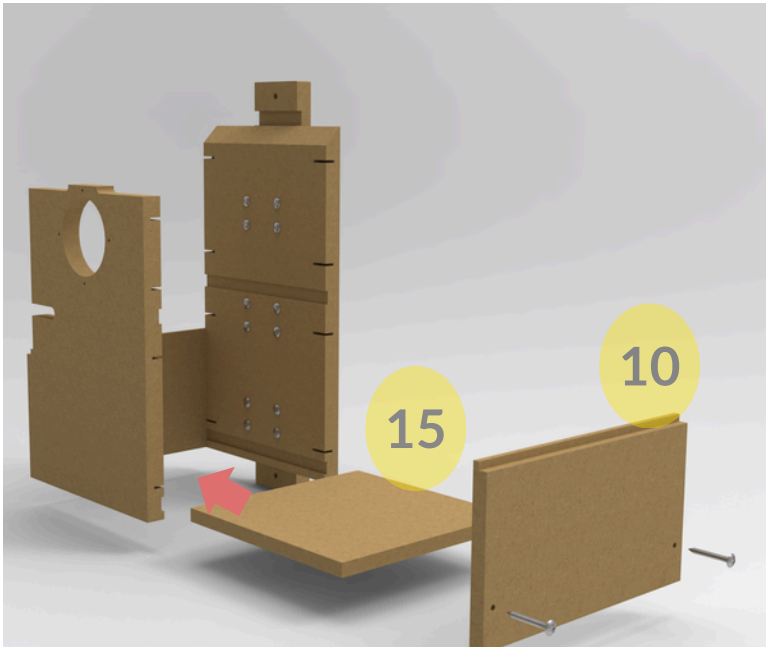


Attach part 9 and part 5

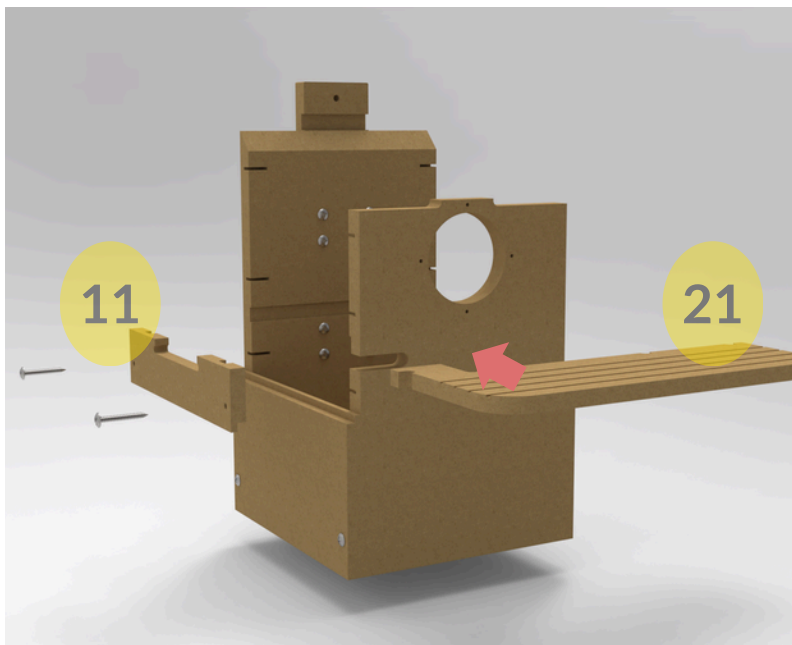




# Installation Guide

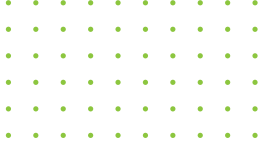


Slide bottom part (part 15) inside channel and screw the part 10

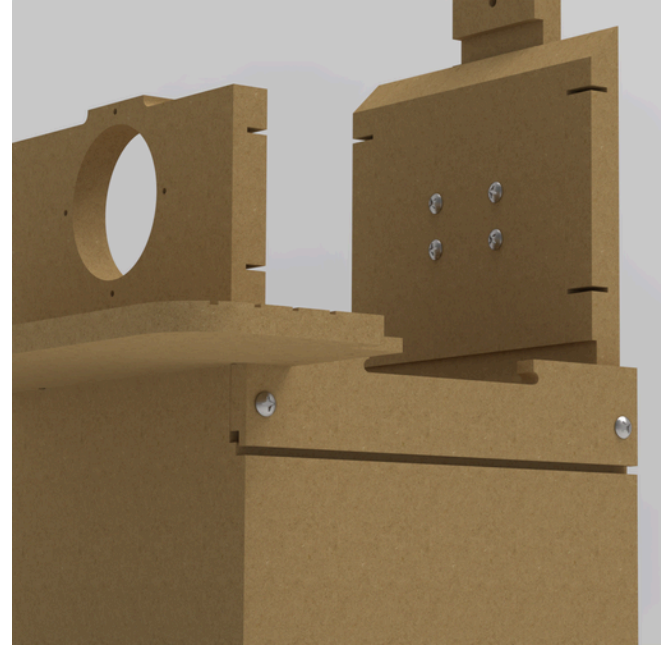
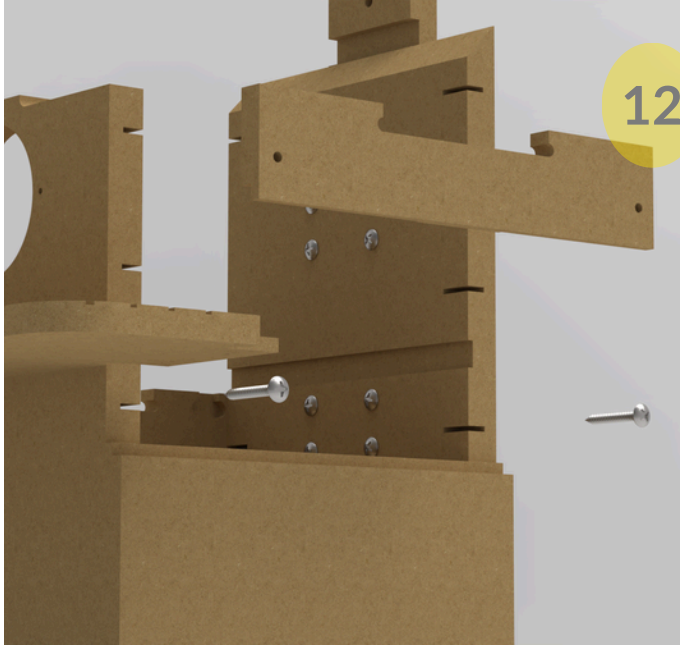


Insert the part 21 inside the part 5 and screw the part 11 to assembly

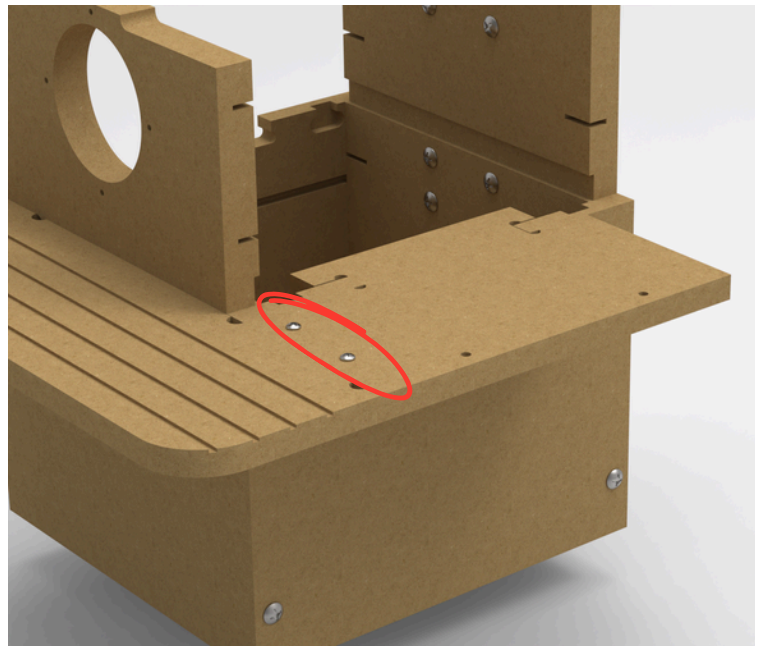
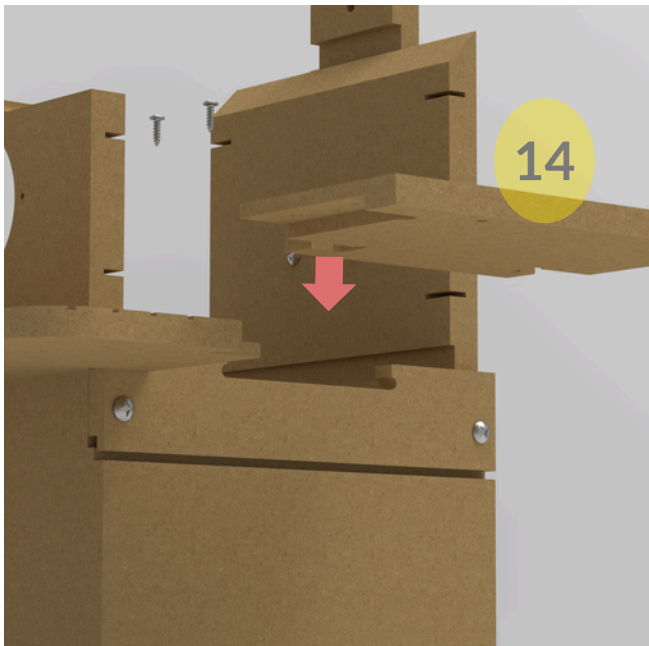




# Installation Guide



**Screw the part 12 at its place.**

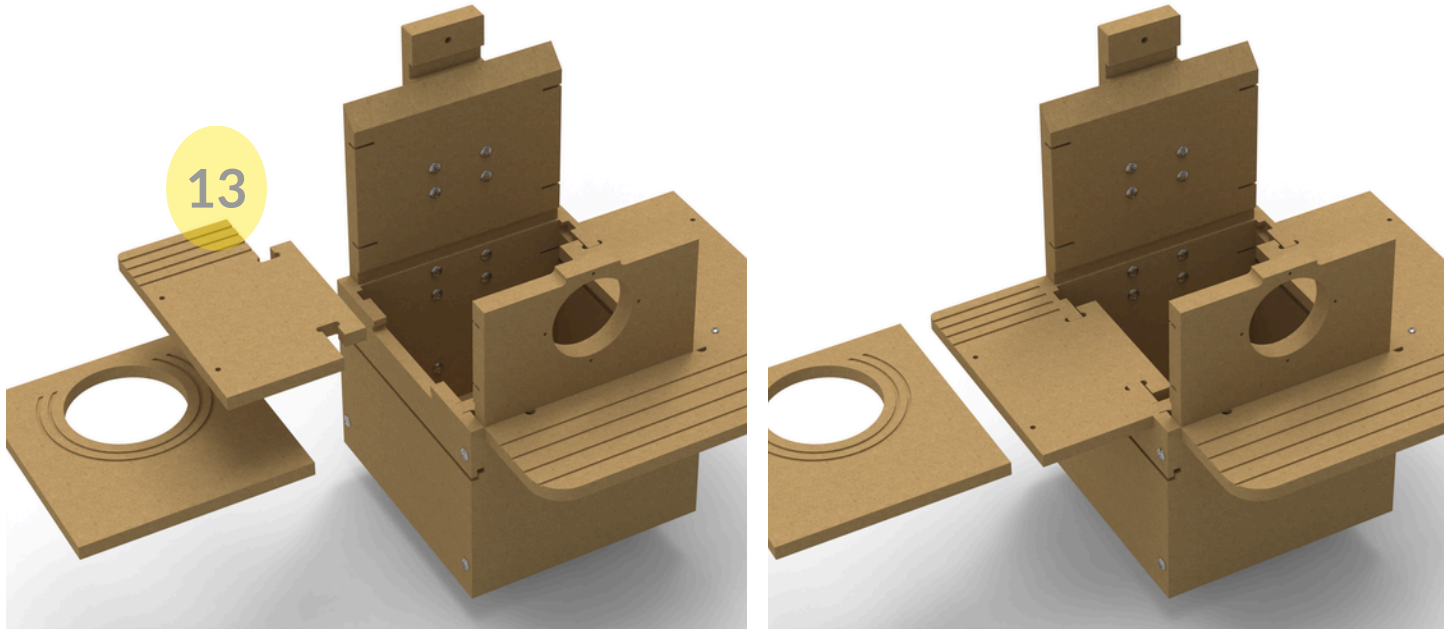


**Insert the part 14 inside the part 12 and screw the part 14 to assembly with small screws**

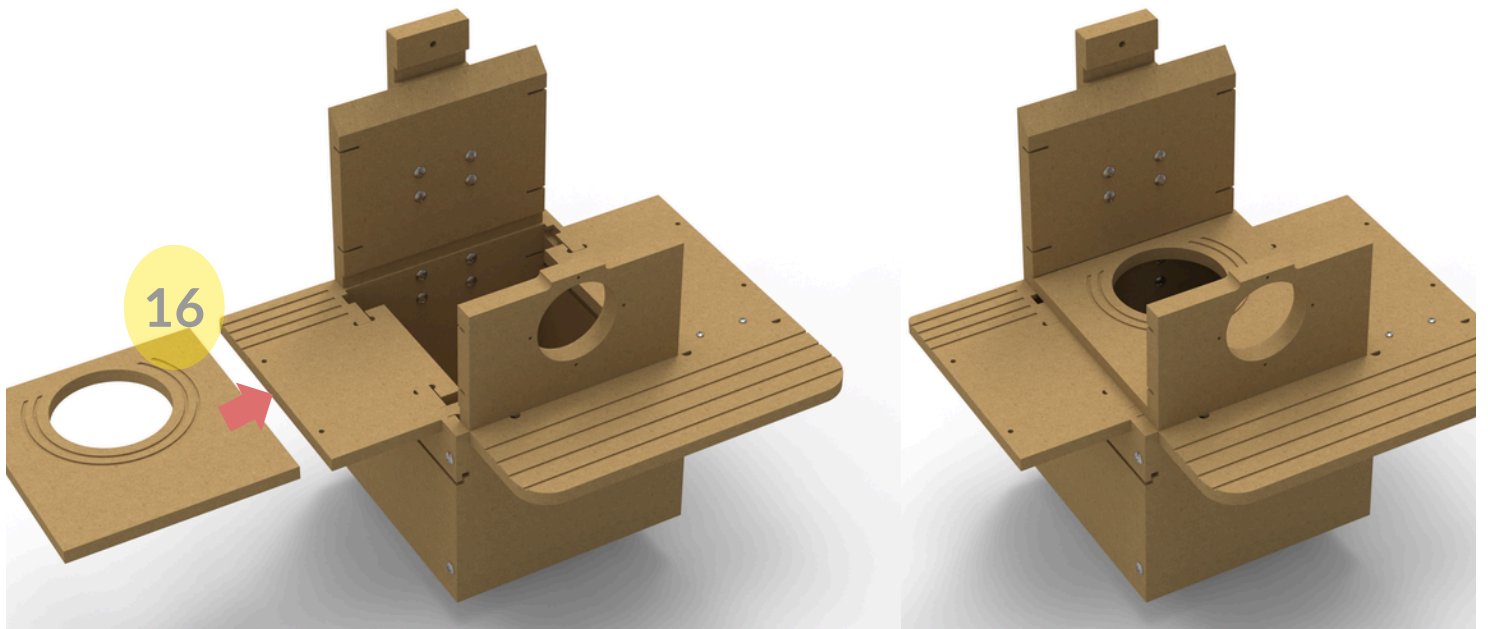




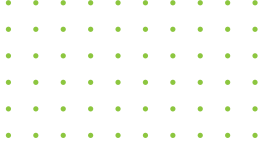
# Installation Guide



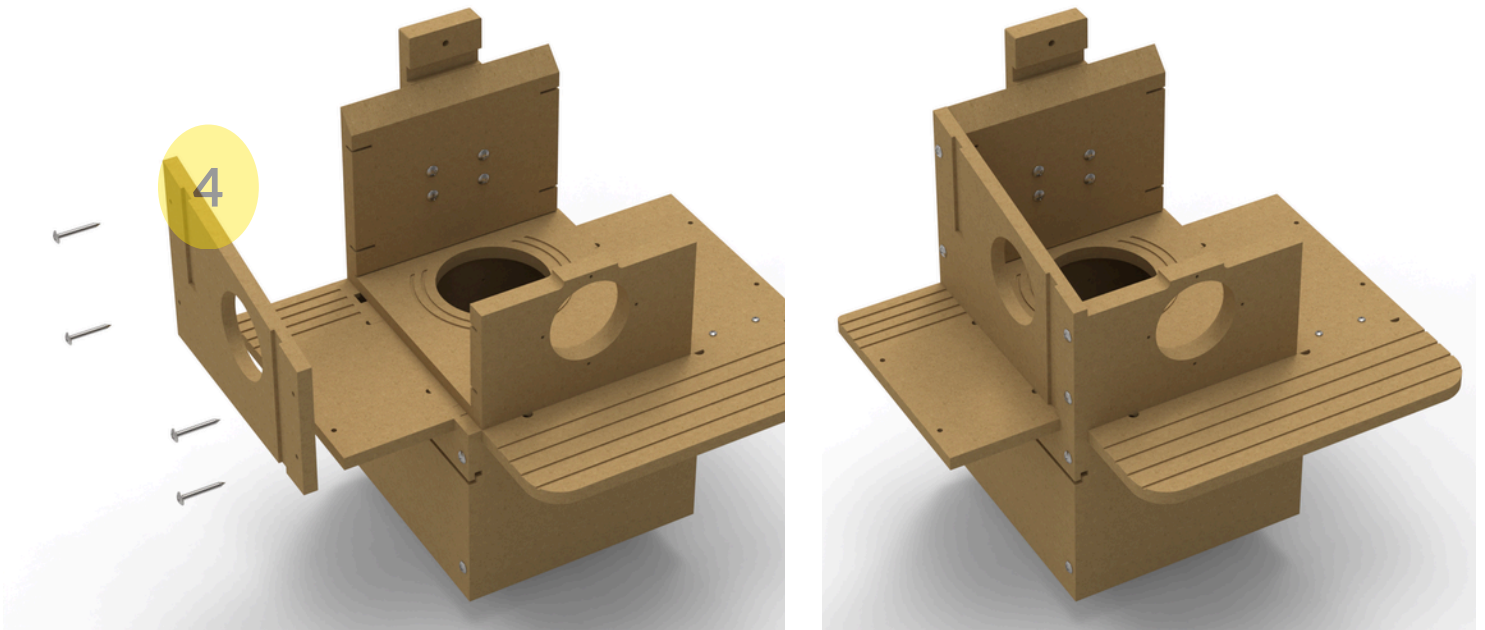
**Insert the part 13 to part 11**



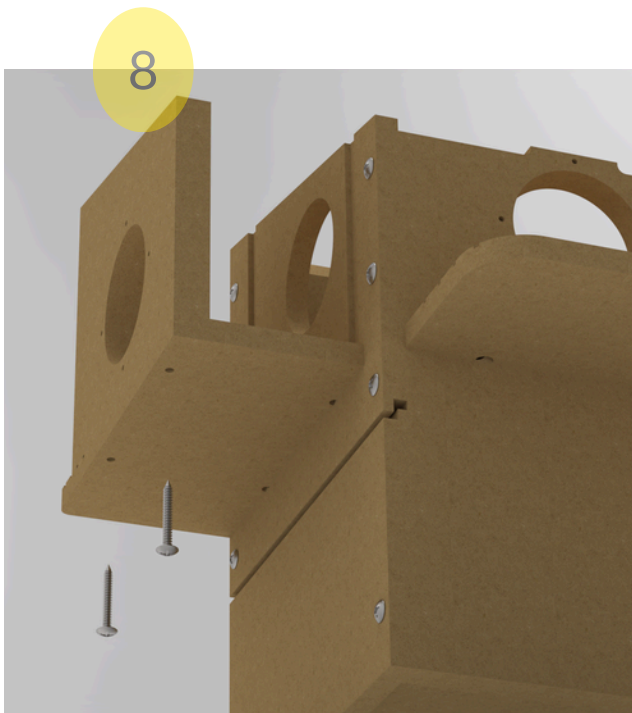
**Slide Part 16 to its own channel.**



# Installation Guide

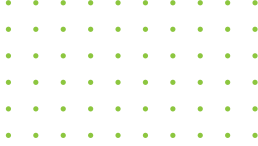


Insert the part 4 to assembly.

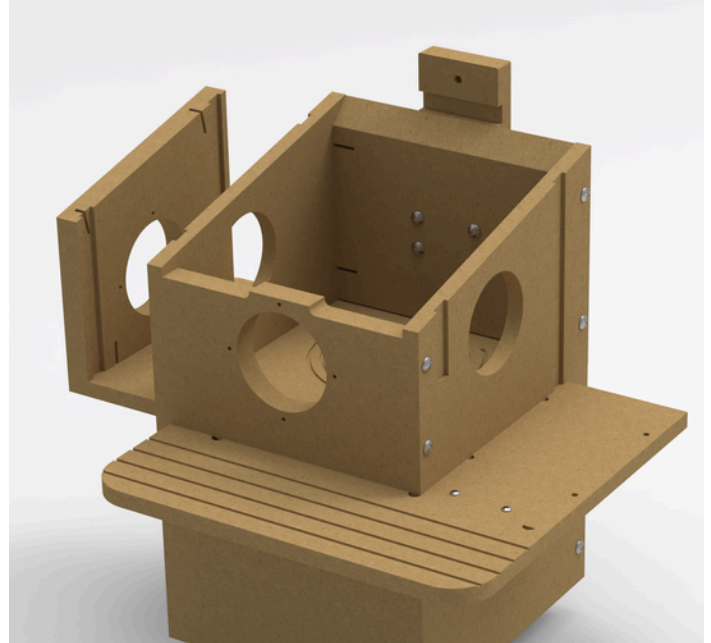
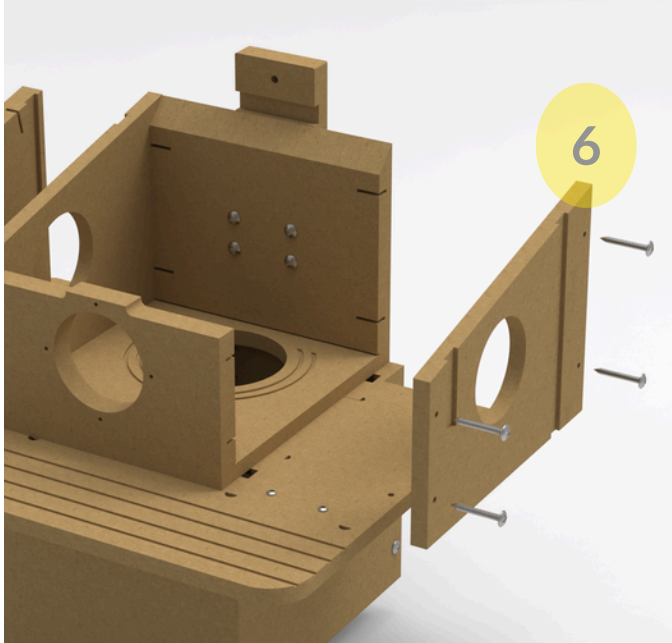


Screw the part 8 to part 13

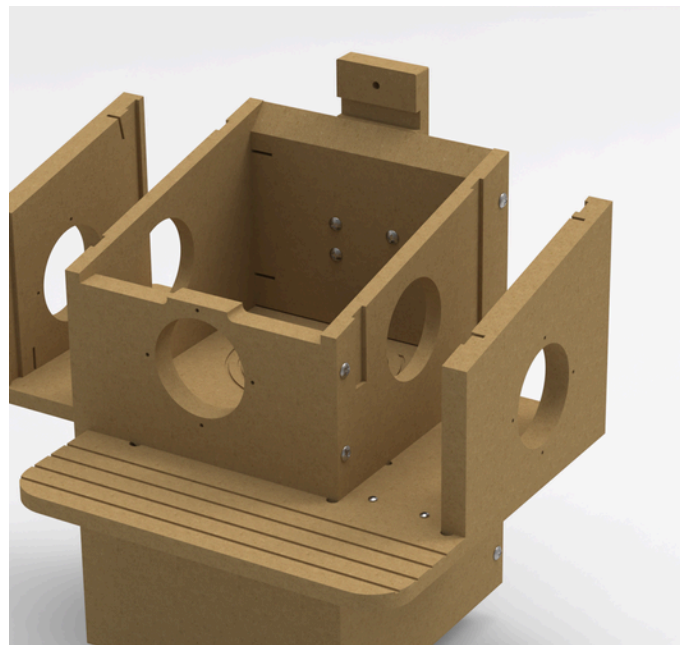
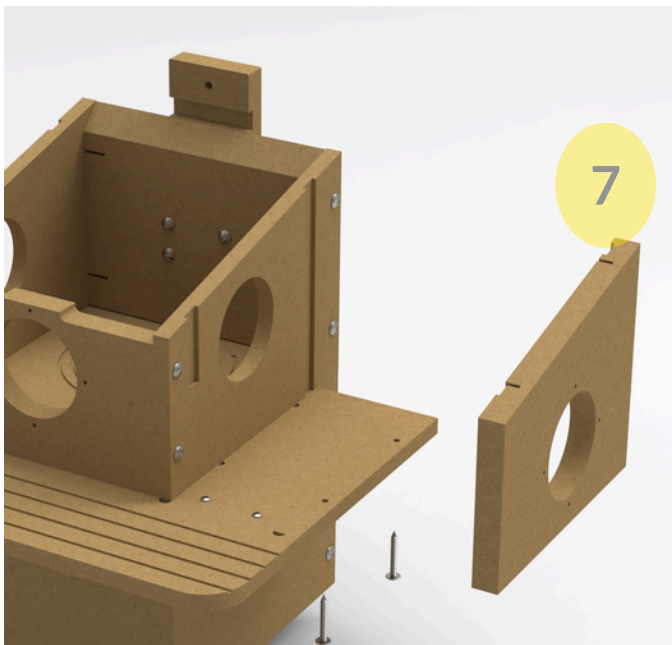




# Installation Guide



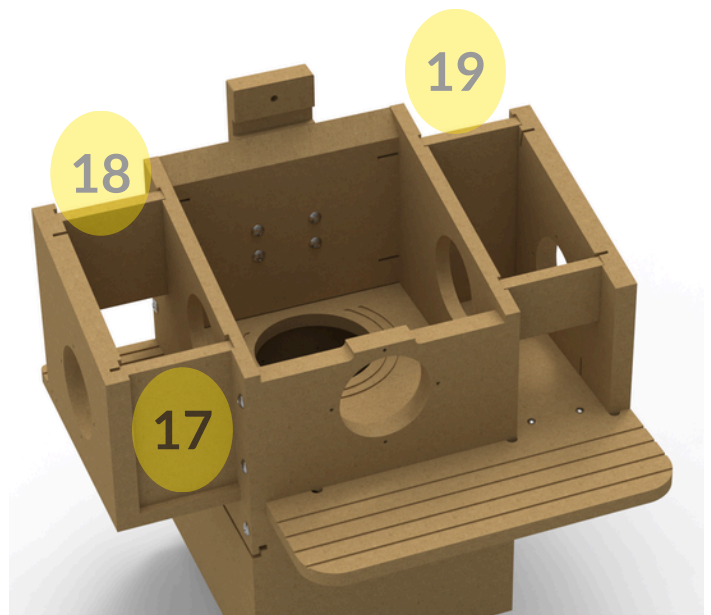
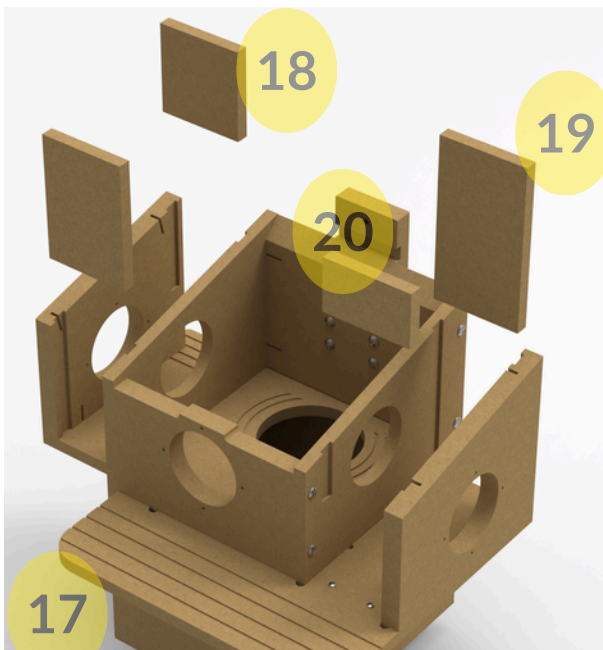
Screw the part 6



Screw the part 7 to part 14



# Installation Guide



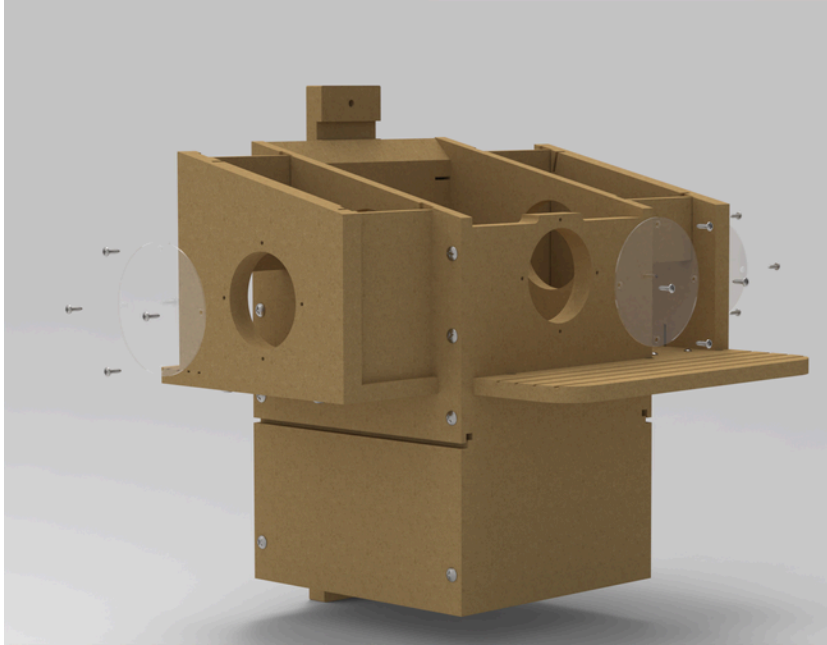
Slide the parts inside its channels

20

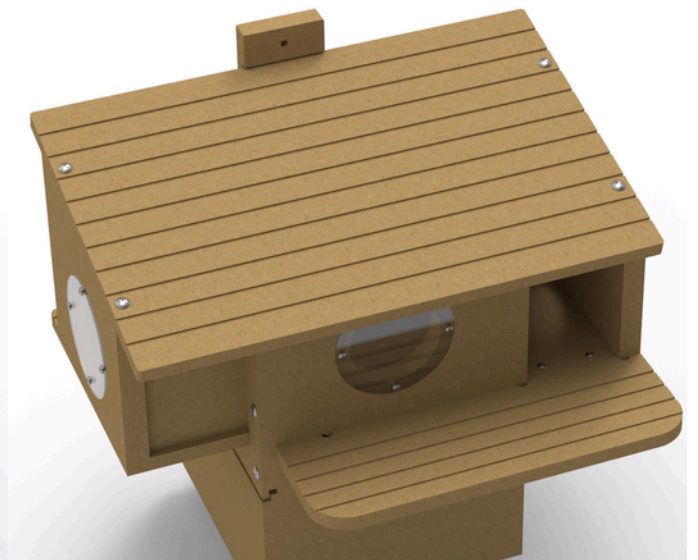




# Installation Guide

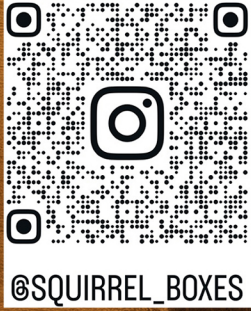


**Take off the protective blue film before installing the windows.  
Attach the windows with small screws**



**Screw the roof (part 1) to assembly**





# Squirrel Boxes



facebook

## MOUNT WITH CARE

Please be careful when mounting your box to avoid bending or flexing the rear tree hanger. Doing so can place unnecessary stress on material and may cause it to break.

Make sure the box is mounted level so that water can properly drain and not collect inside the hallways. A level installation keeps the

