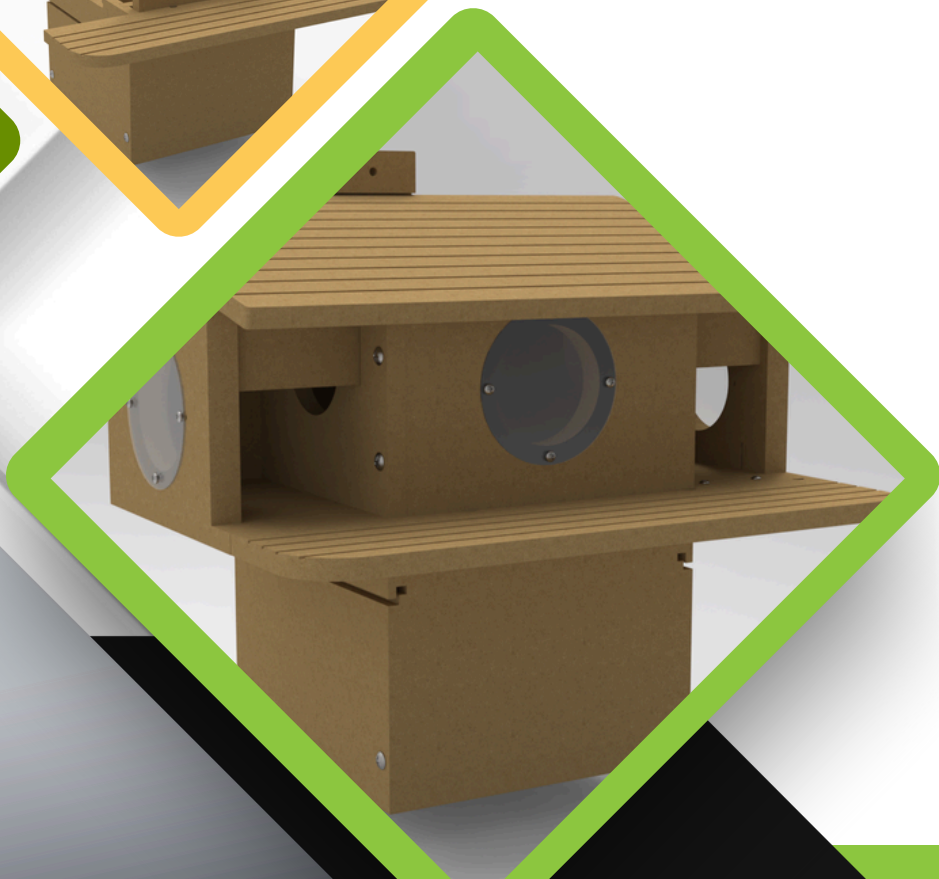
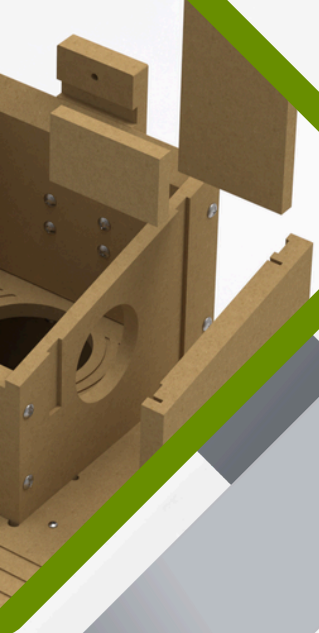
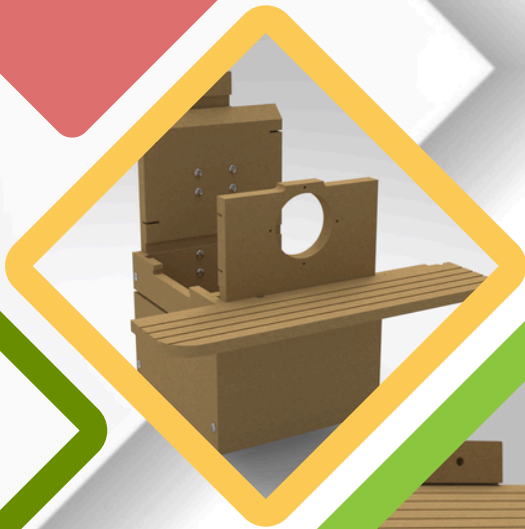




Squirrel Boxes

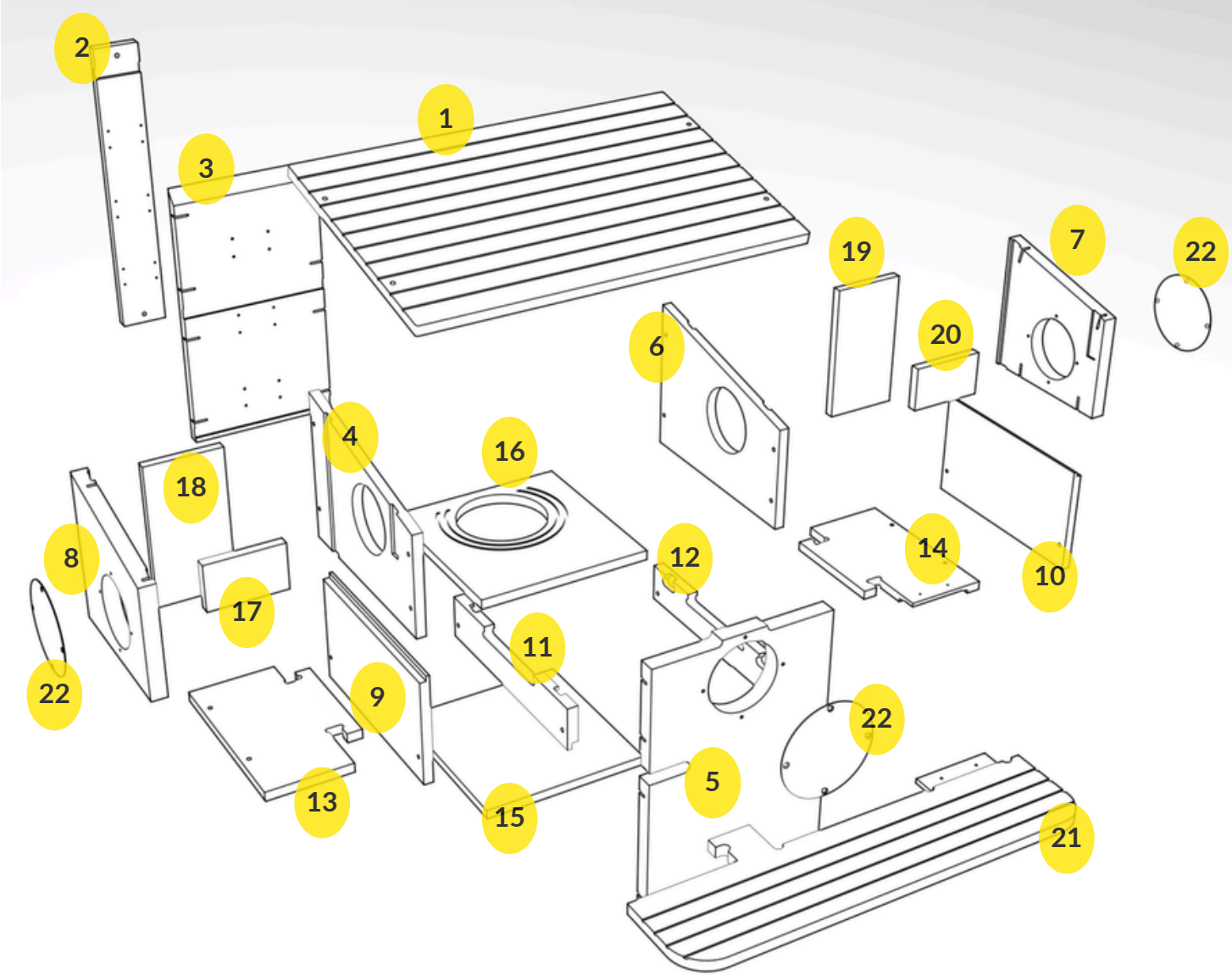
Porchside Paradise Installation Guide





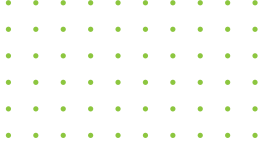
Porchside Paradies

Exploded View



Online Instructions Scan Here with Camera From Your Mobile Device

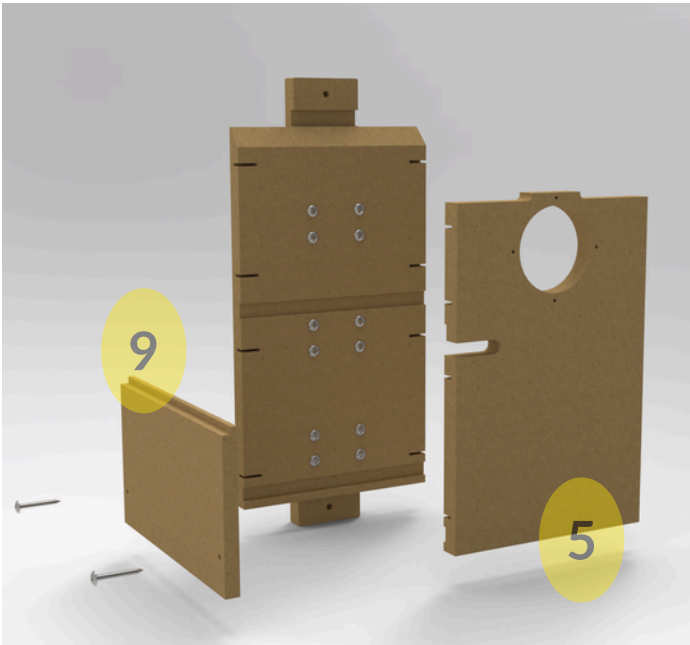




Installation Guide

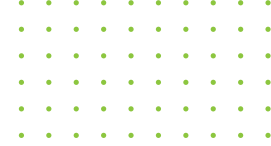


Attach part 2 to part 3

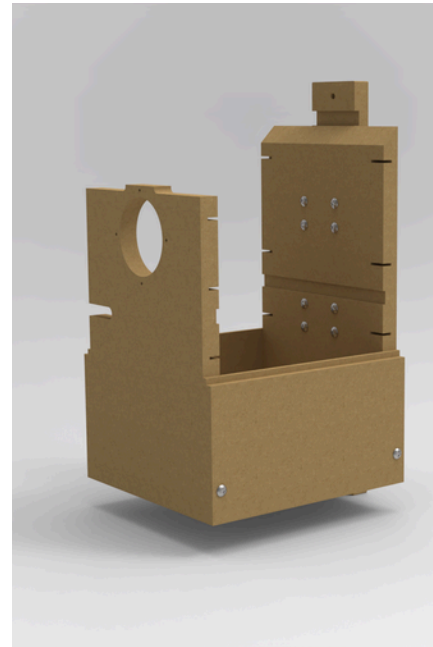
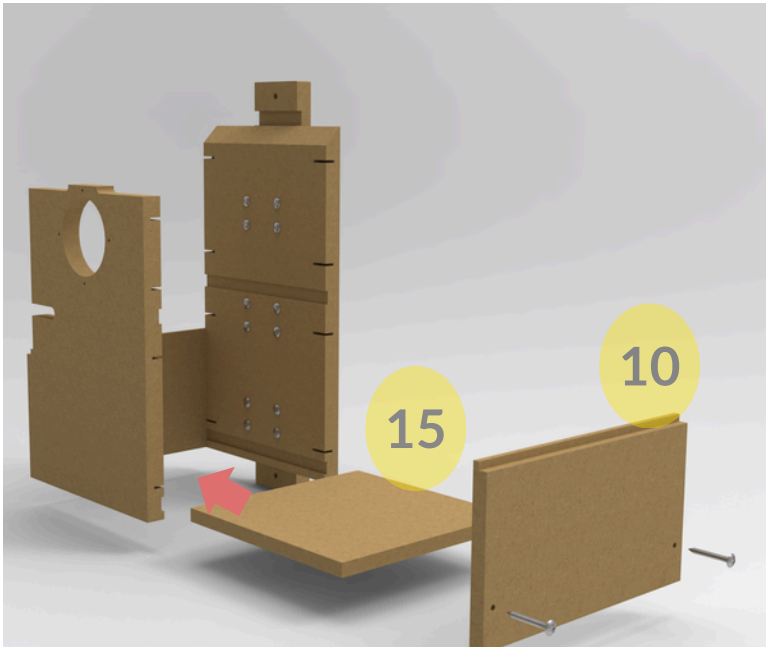


Attach part 9 and part 5

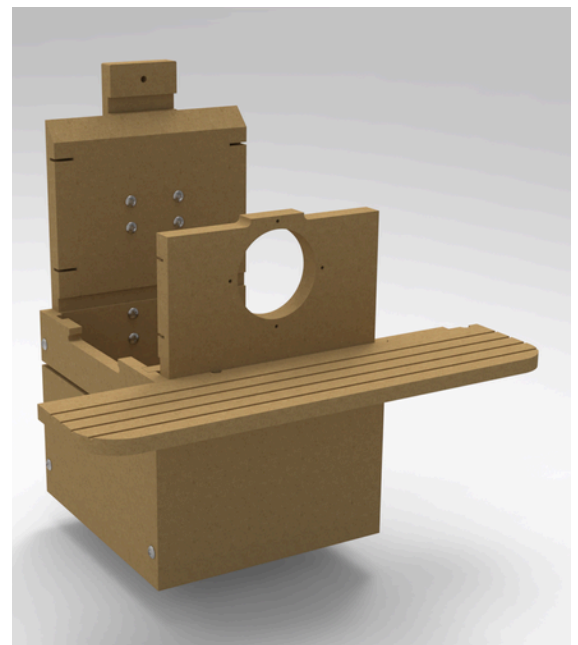
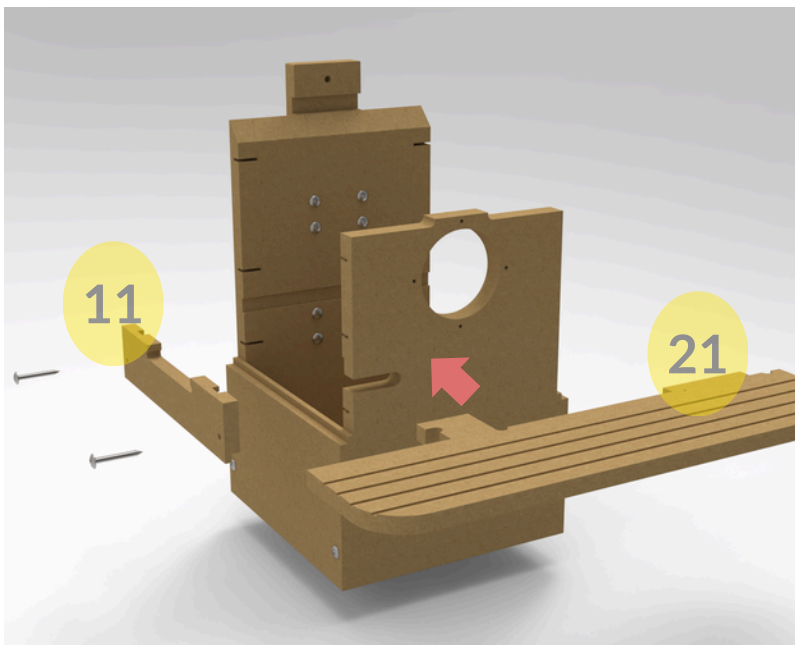




Installation Guide

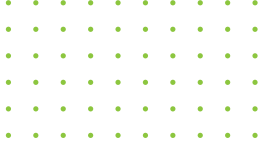


Slide bottom part (part 15) inside channel and screw the part 10

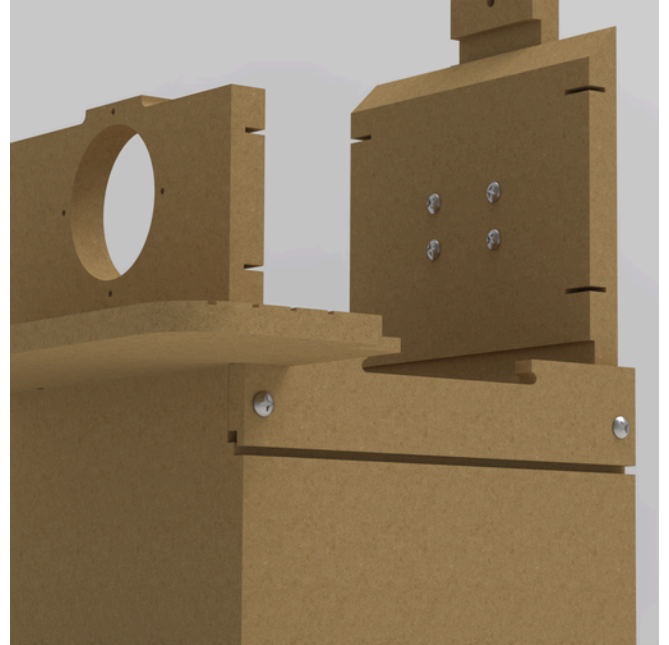
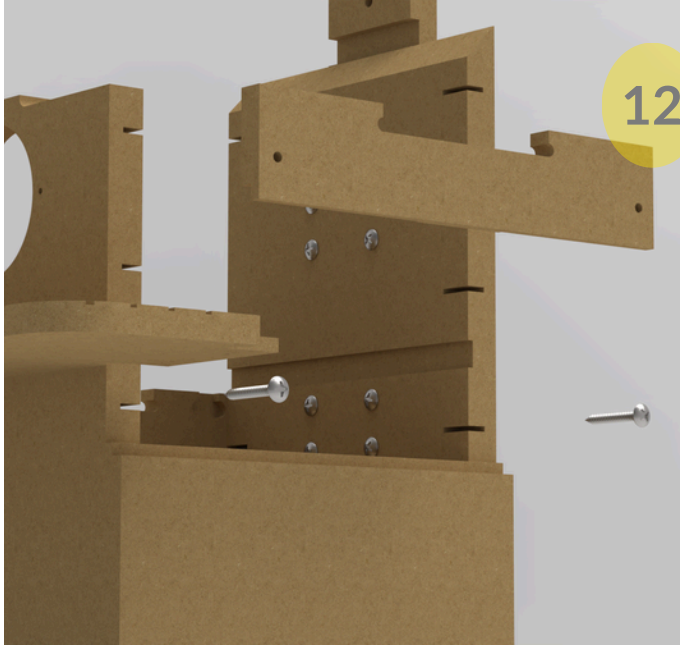


Insert the part 21 inside the part 5 and screw the part 11 to assembly

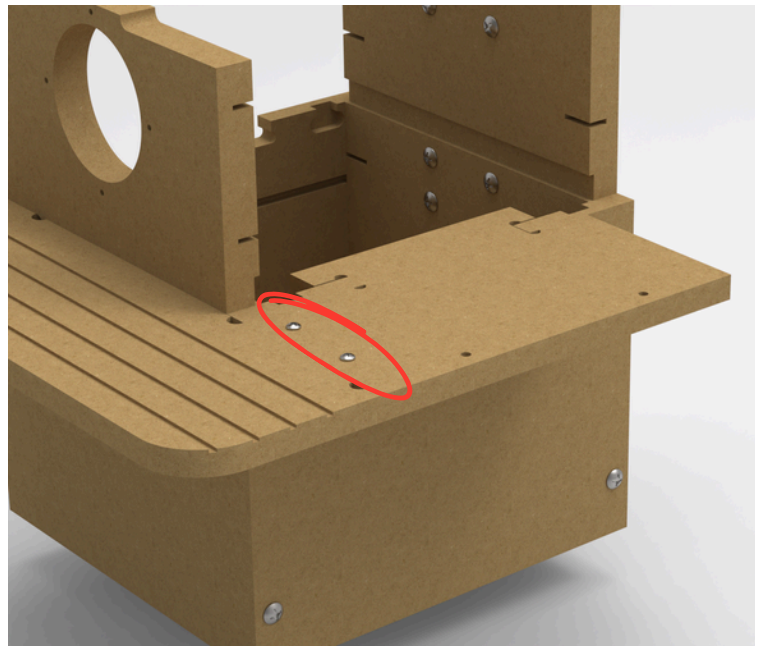
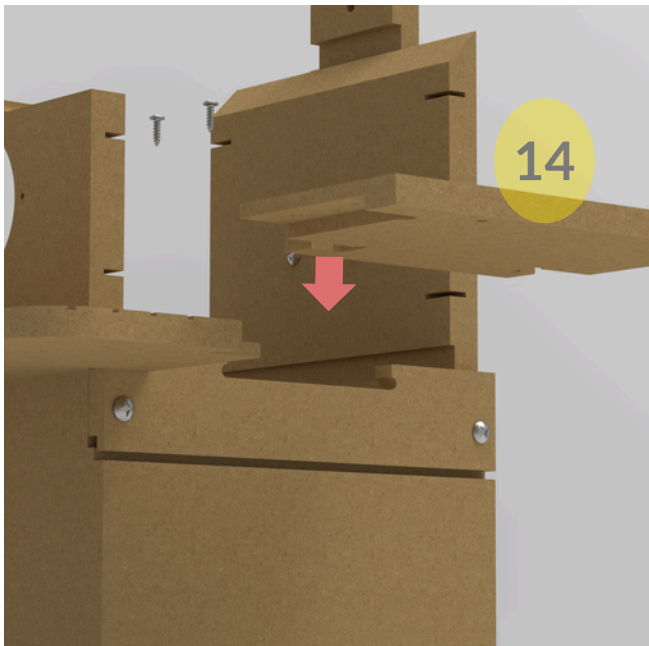




Installation Guide



Screw the part 12 at its place.

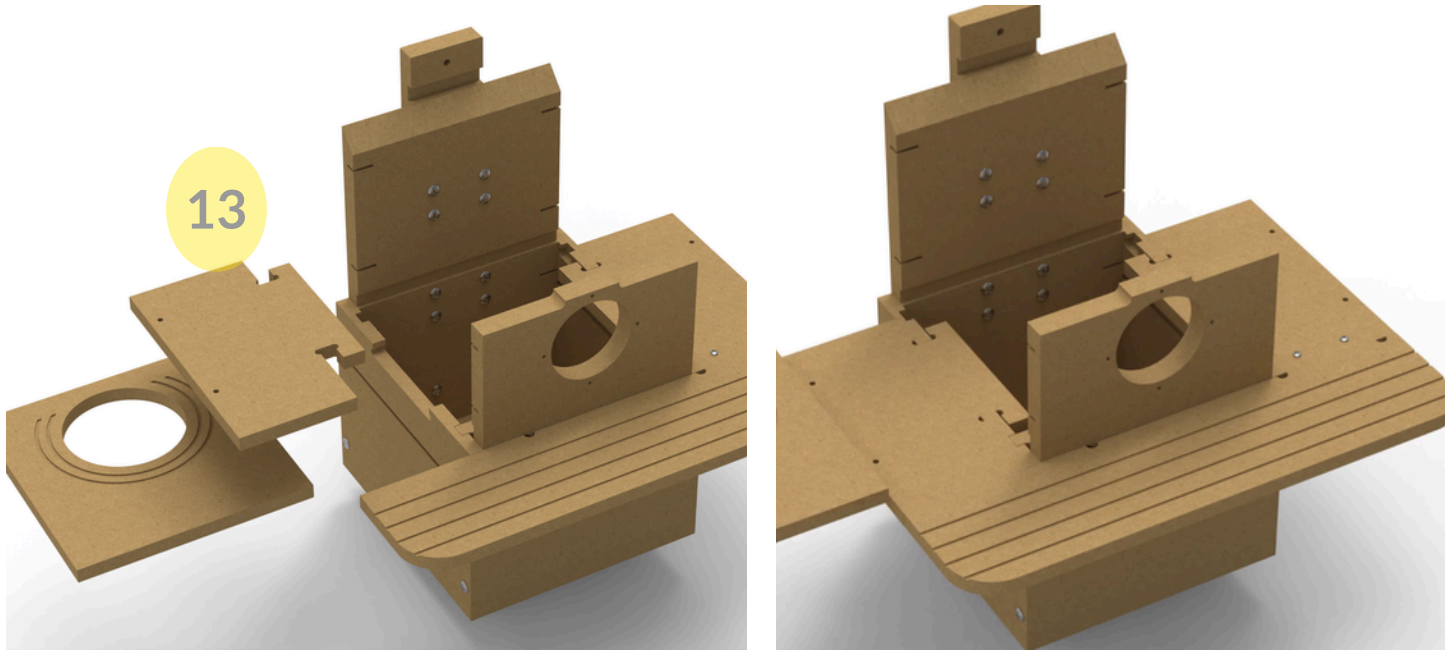


Insert the part 14 inside the part 12 and screw the part 14 to assembly with small screws

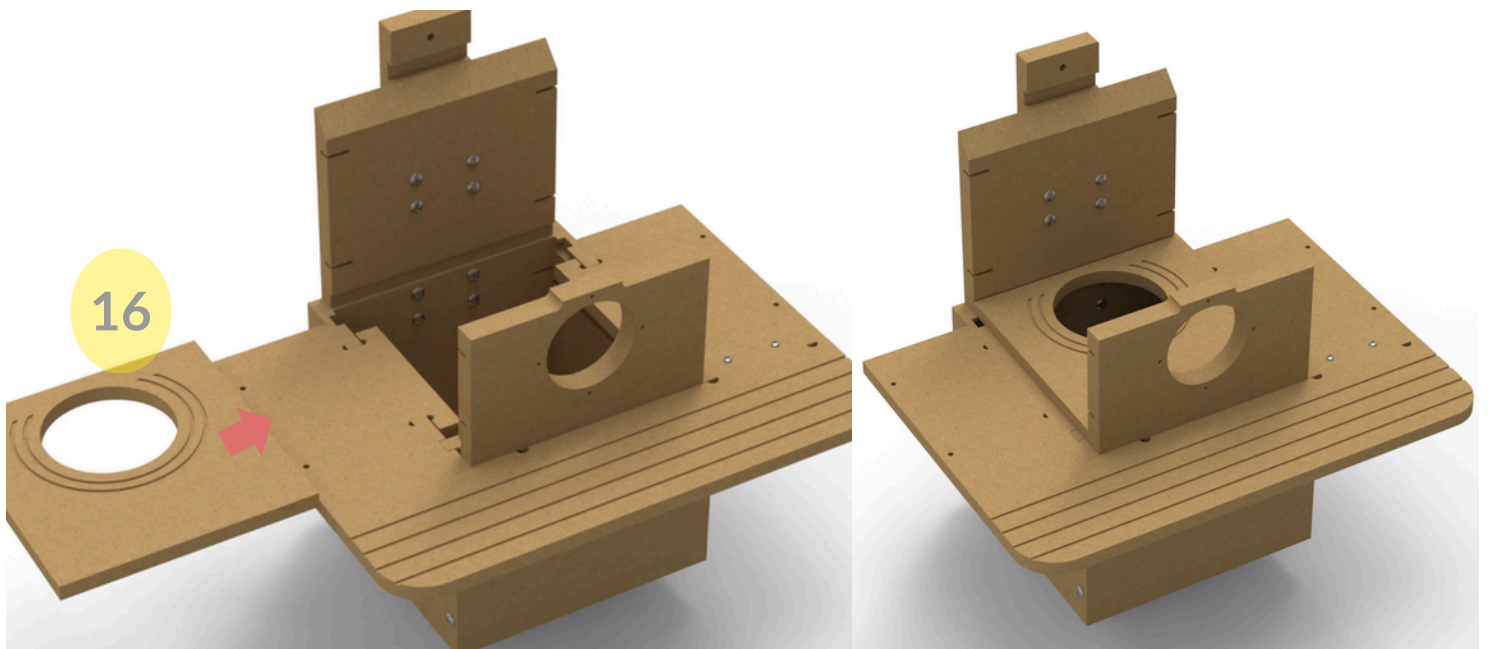




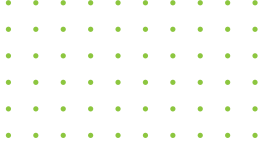
Installation Guide



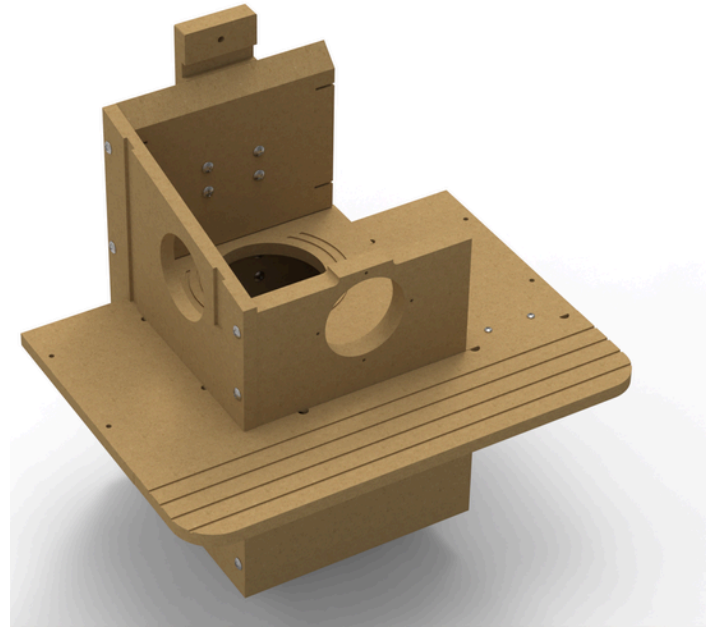
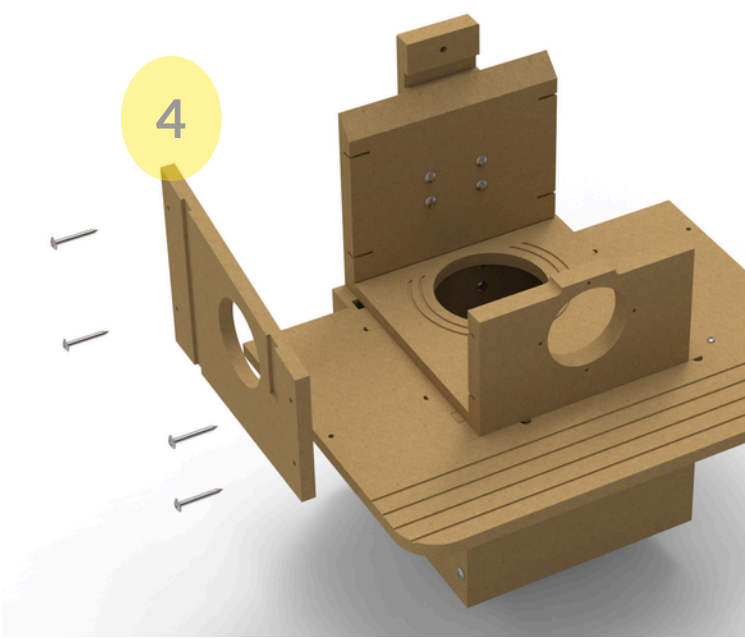
Insert the part 13 to part 11



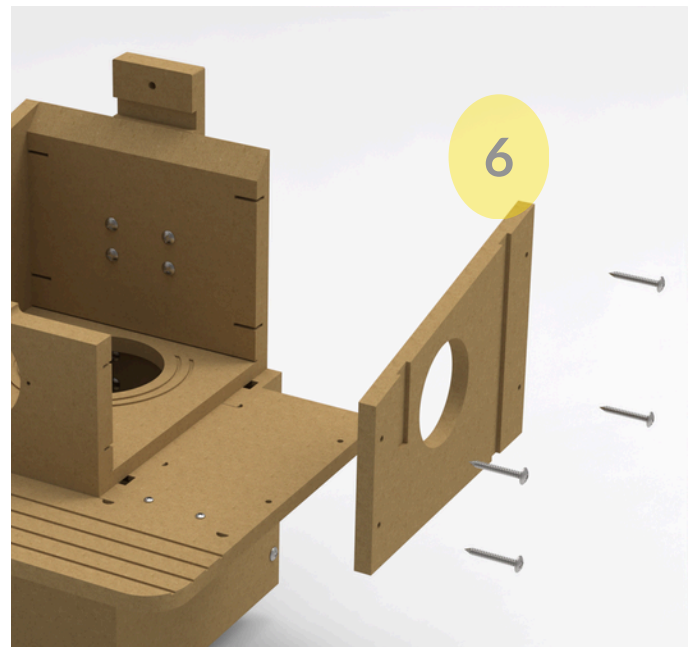
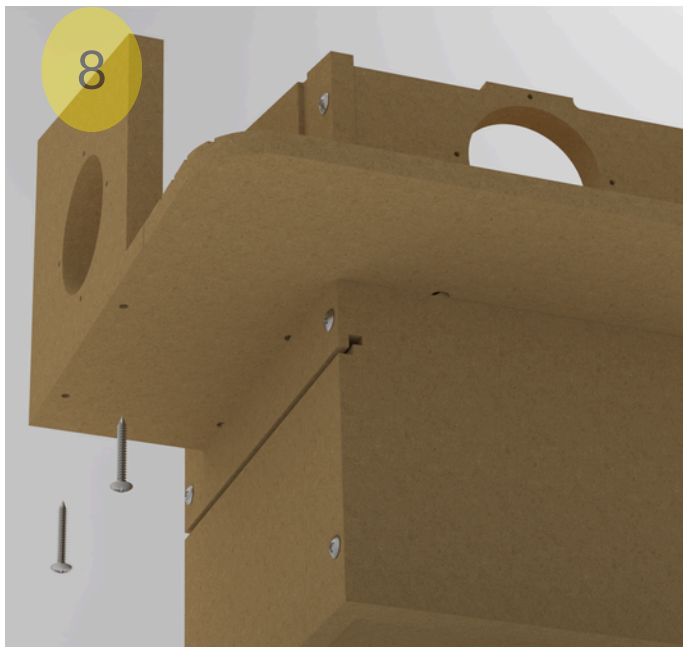
Slide Part 16 to its own channel.



Installation Guide

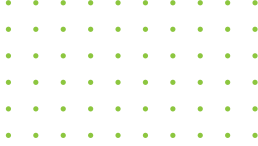


Screw the part 4

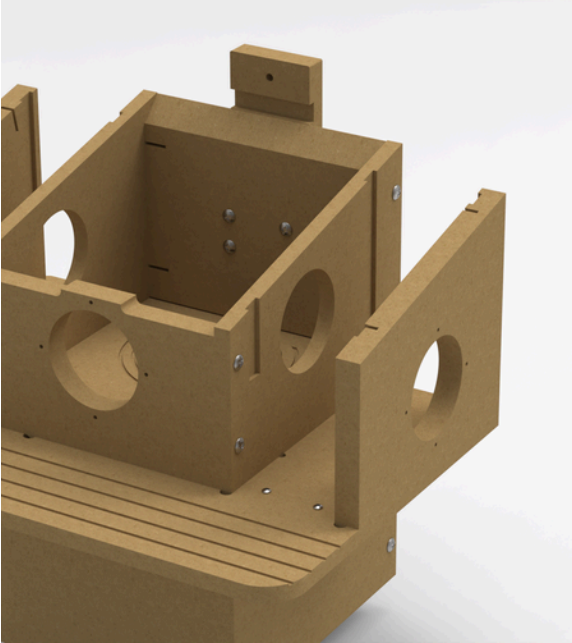
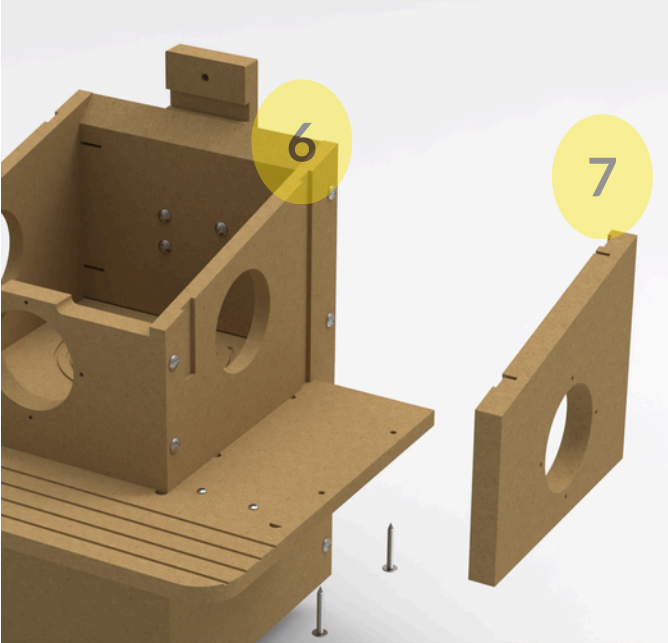


Screw the part 8

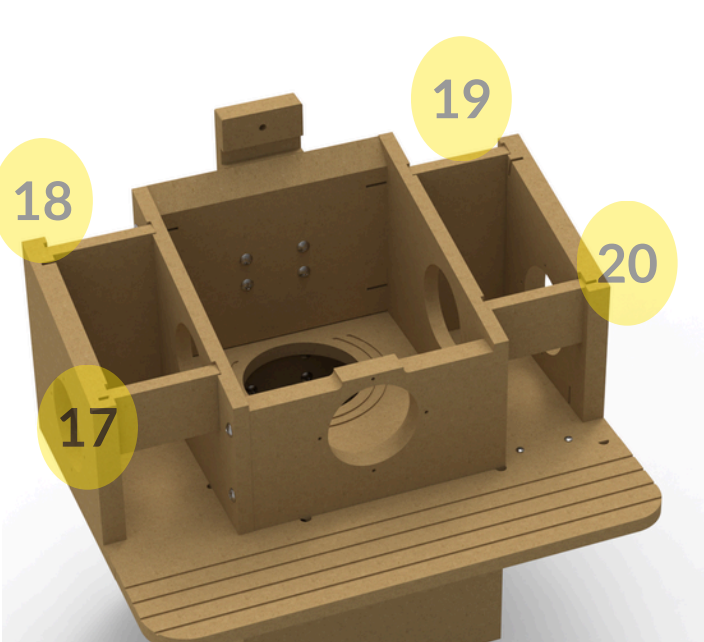
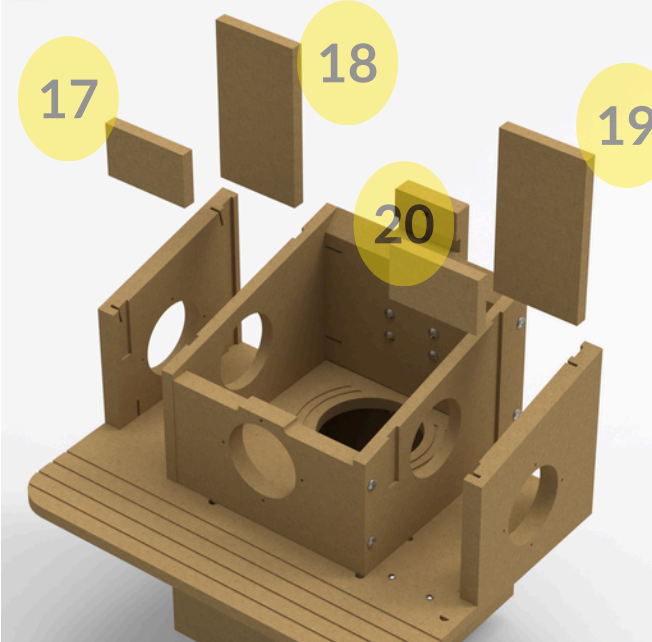
Screw the part 6



Installation Guide



Screw the part 7 to part 14

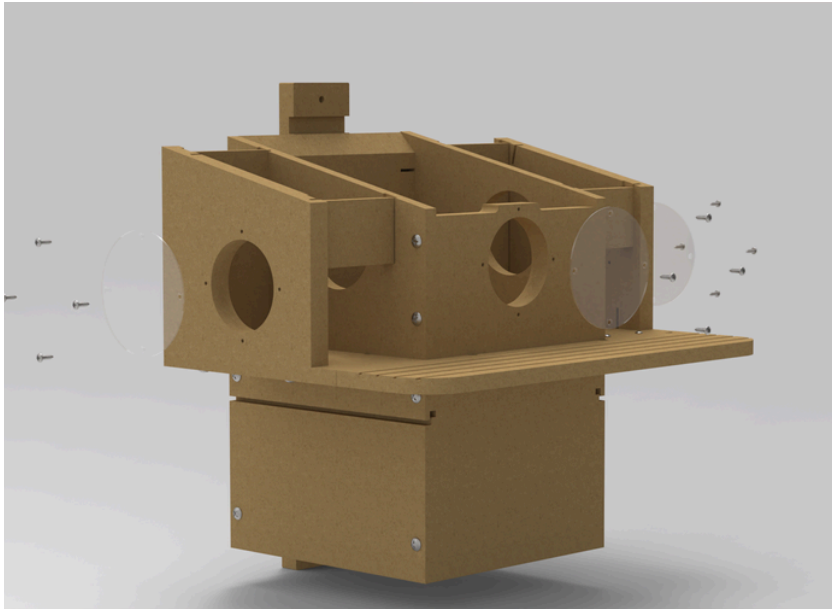


Slide the parts inside its channels

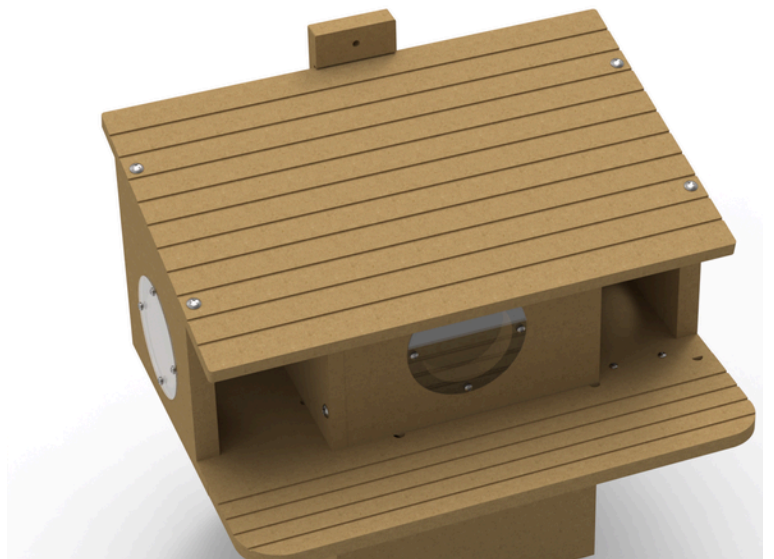
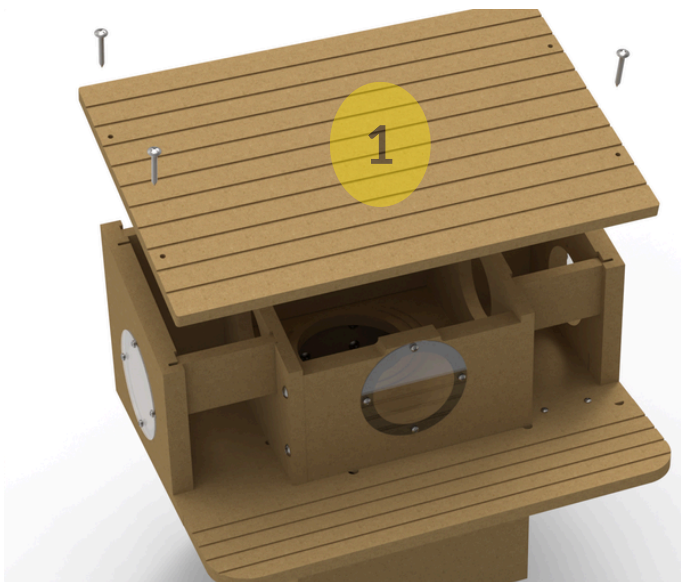




Installation Guide

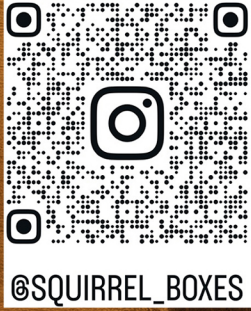


Take off the protective blue film before installing the windows
Attach the windows with small screws



Screw the roof (part 1) to assembly





Squirrel Boxes



facebook

MOUNT WITH CARE

Please be careful when mounting your box to avoid bending or flexing the rear tree hanger. Doing so can place unnecessary stress on material and may cause it to break.

Make sure the box is mounted level so that water can properly drain and not collect inside the hallways. A level installation keeps the

