



# *Squirrel Boxes*

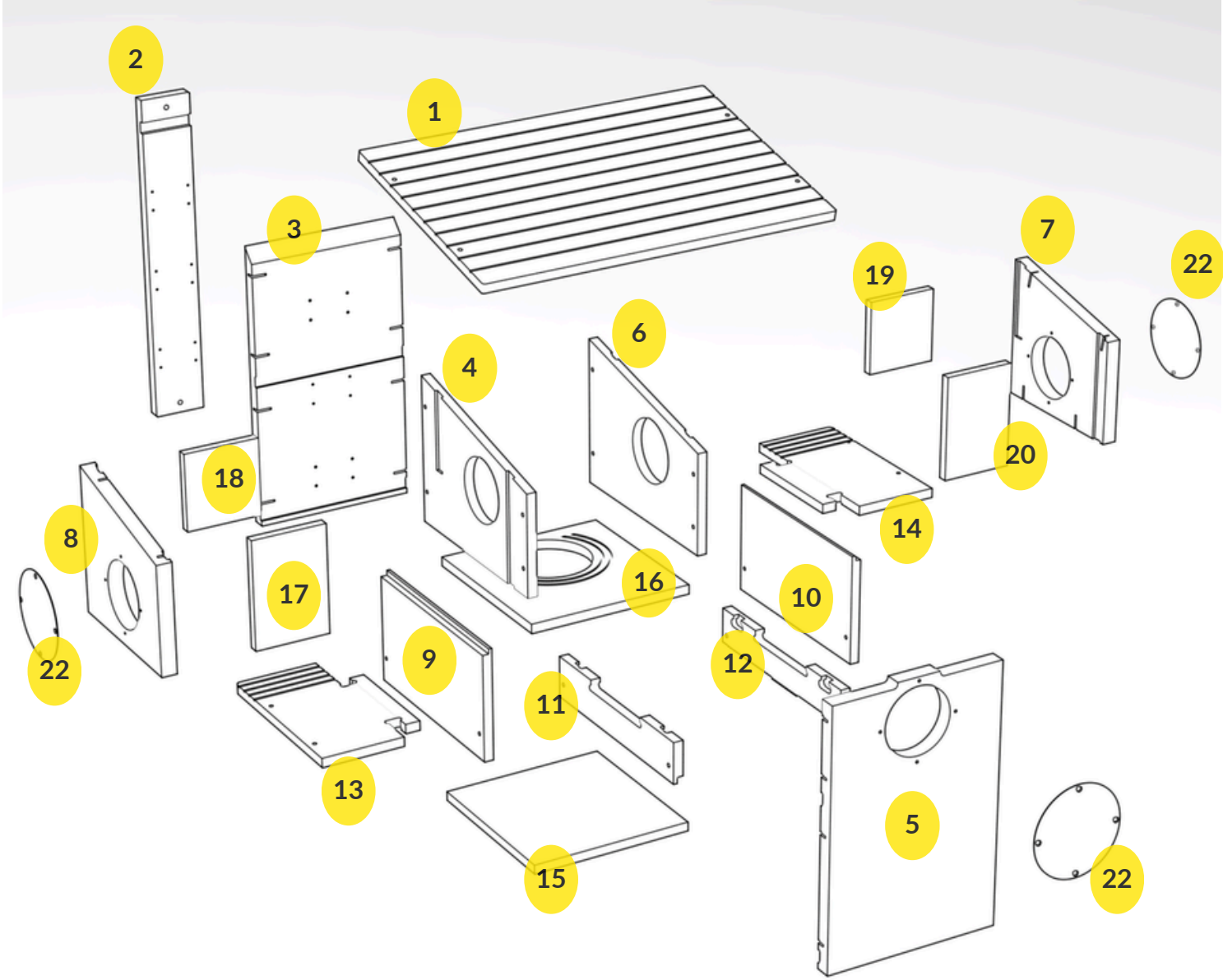
## *Twin Tails Lodge Installation Guide*





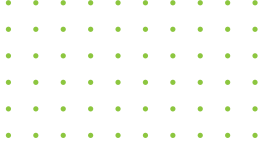
# Twin Tails Lodge

## Exploded View



Online Instructions Scan Here with Camera From Your Mobile Device





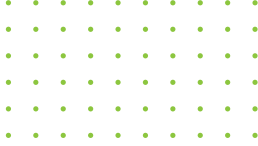
# Installation Guide



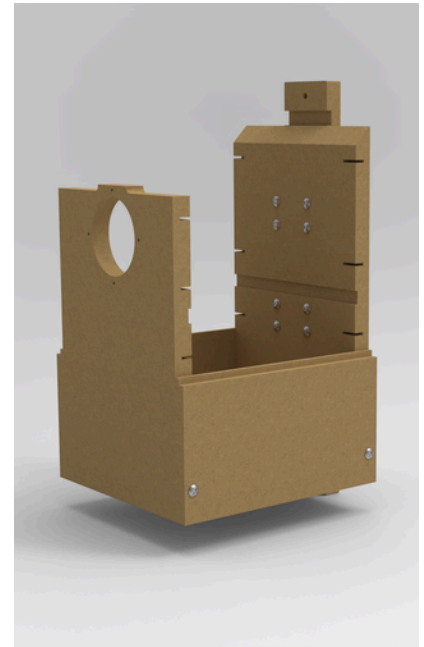
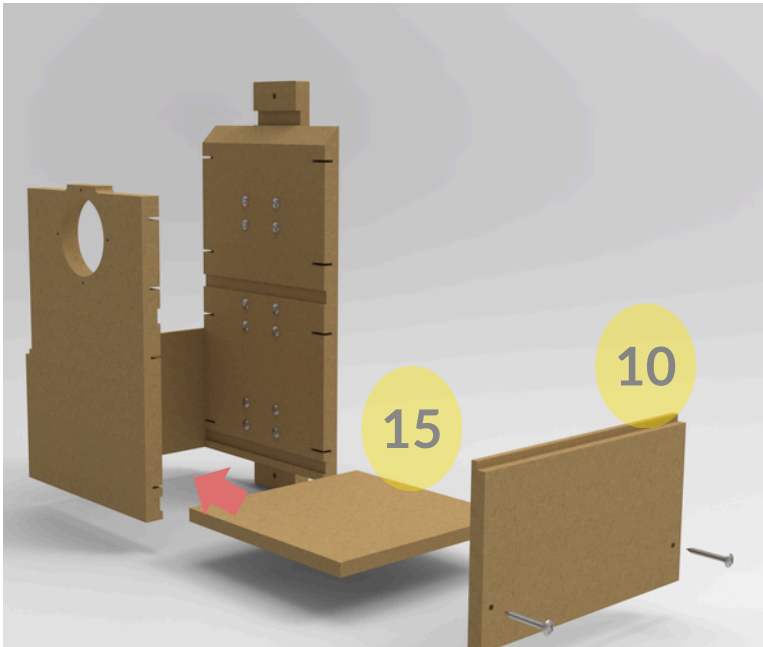
Attach part 2 to part 3



Attach part 9 and part 5



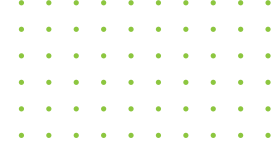
# Installation Guide



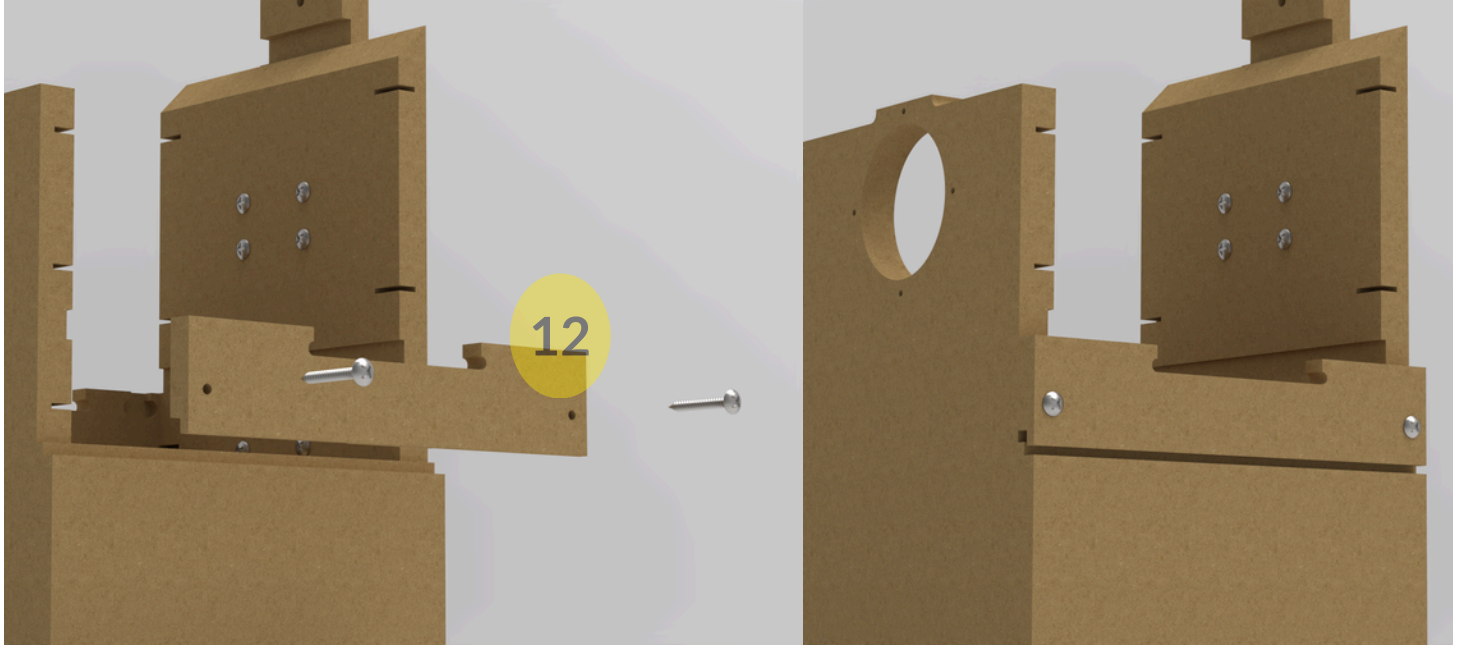
Slide bottom part (part 15) inside channel and screw the part 10



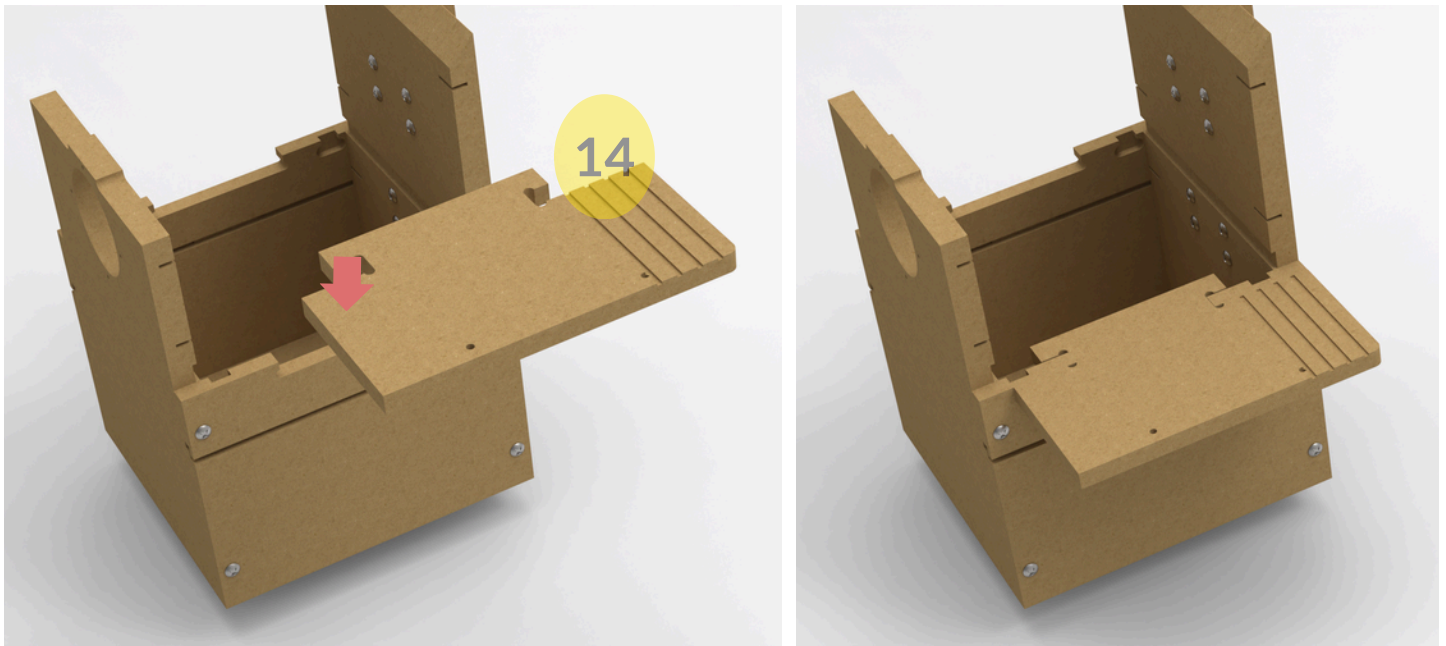
Screw the part 11 to assembly



# Installation Guide



Screw the part 12 at its place.

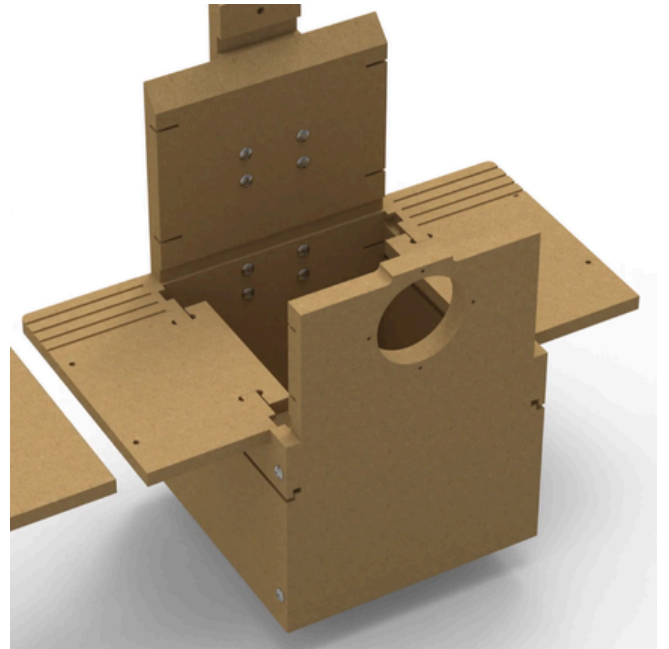
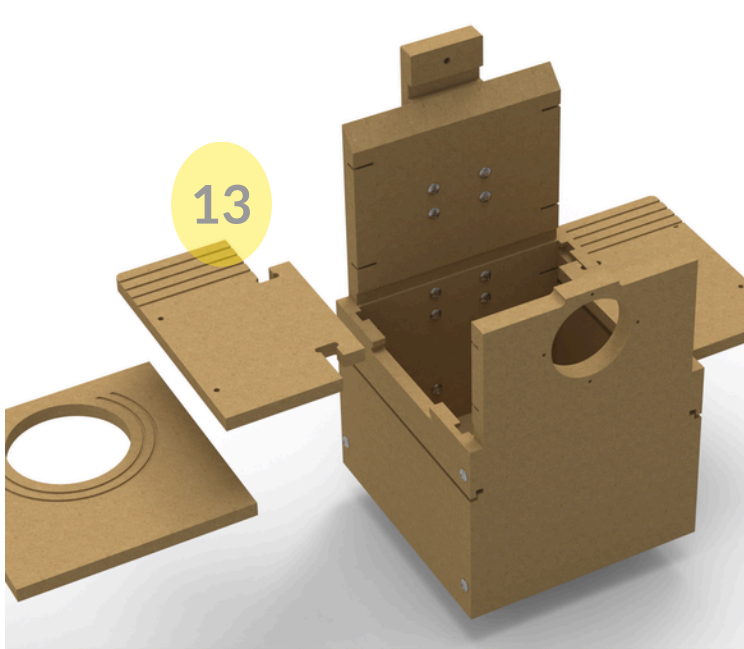


Insert the part 14 inside the part 12

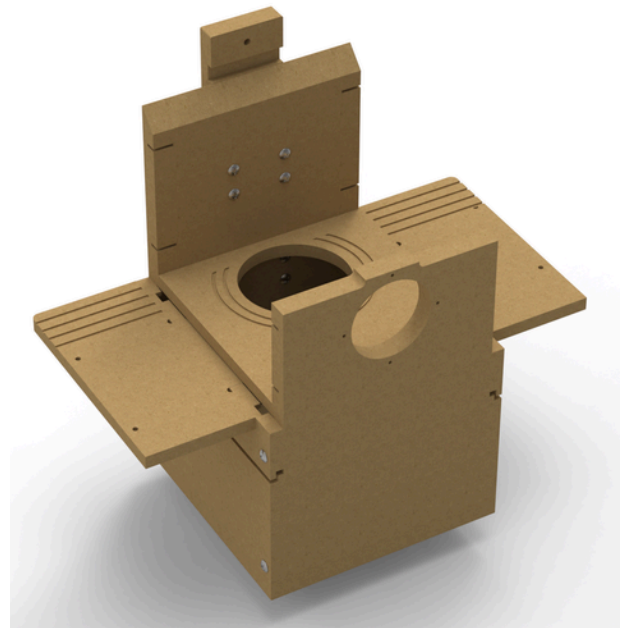




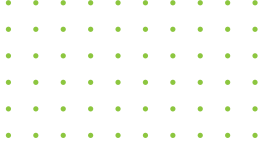
# Installation Guide



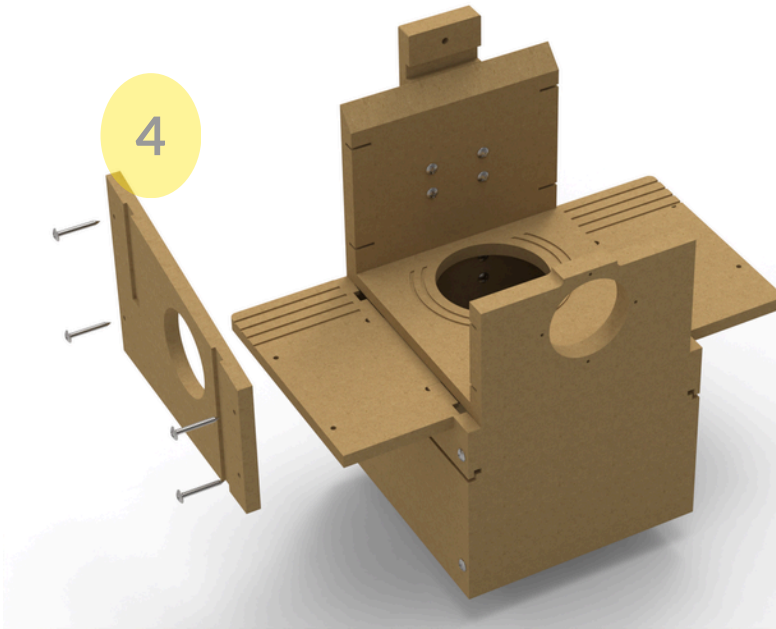
**Insert the part 13 to part 11**



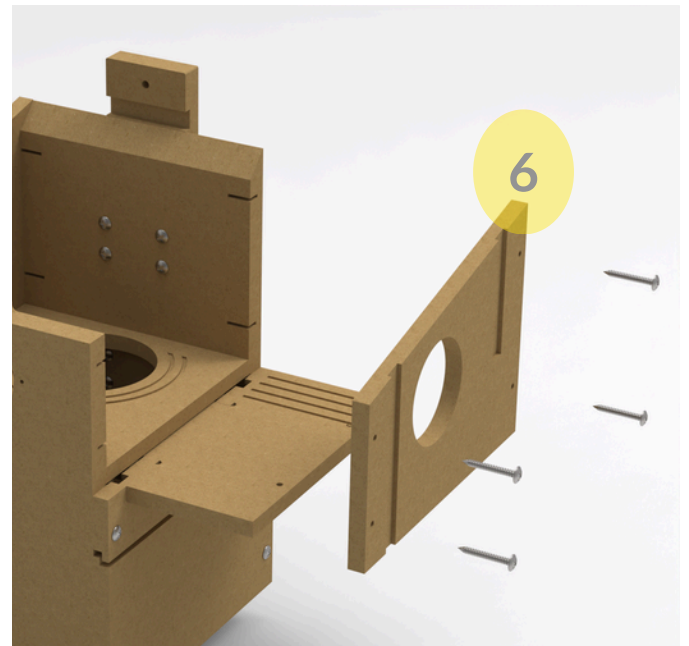
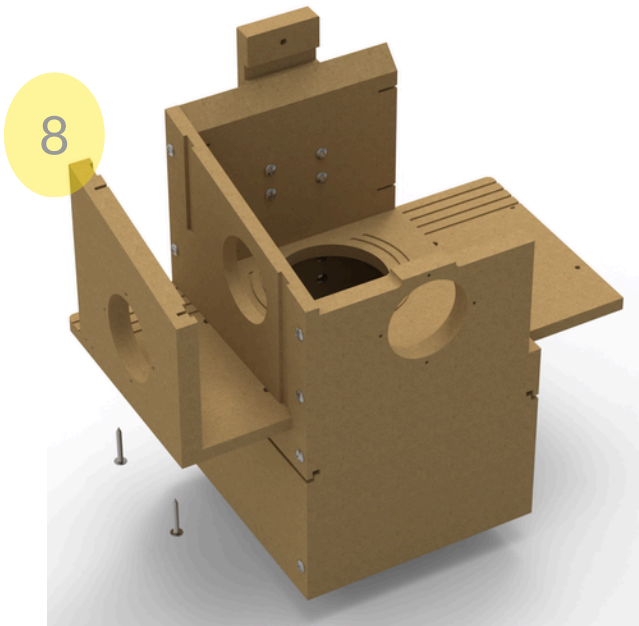
**Slide Part 16 to its own channel.**



# Installation Guide



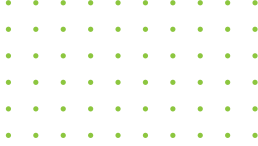
**Screw the part 4 to assembly**



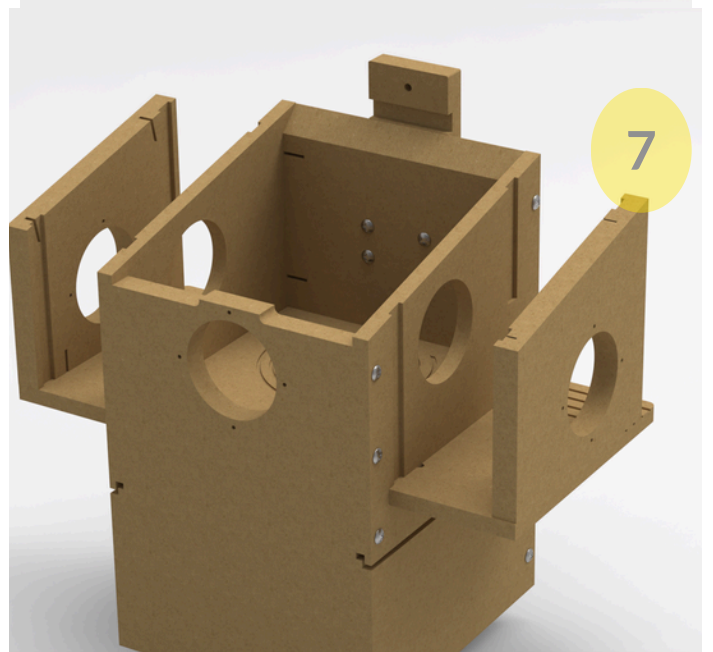
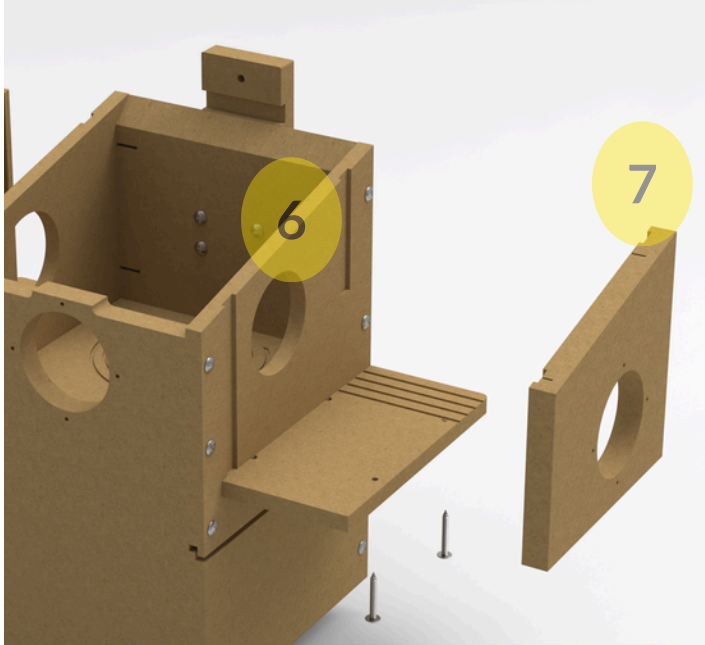
**Screw the part 8 from bottom**

**Screw the part 6**

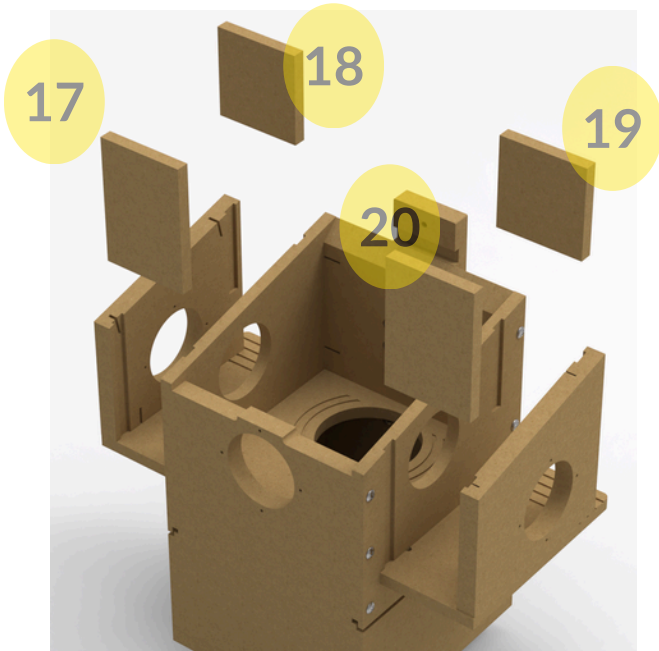




# Installation Guide



Screw the part 7 to part 14

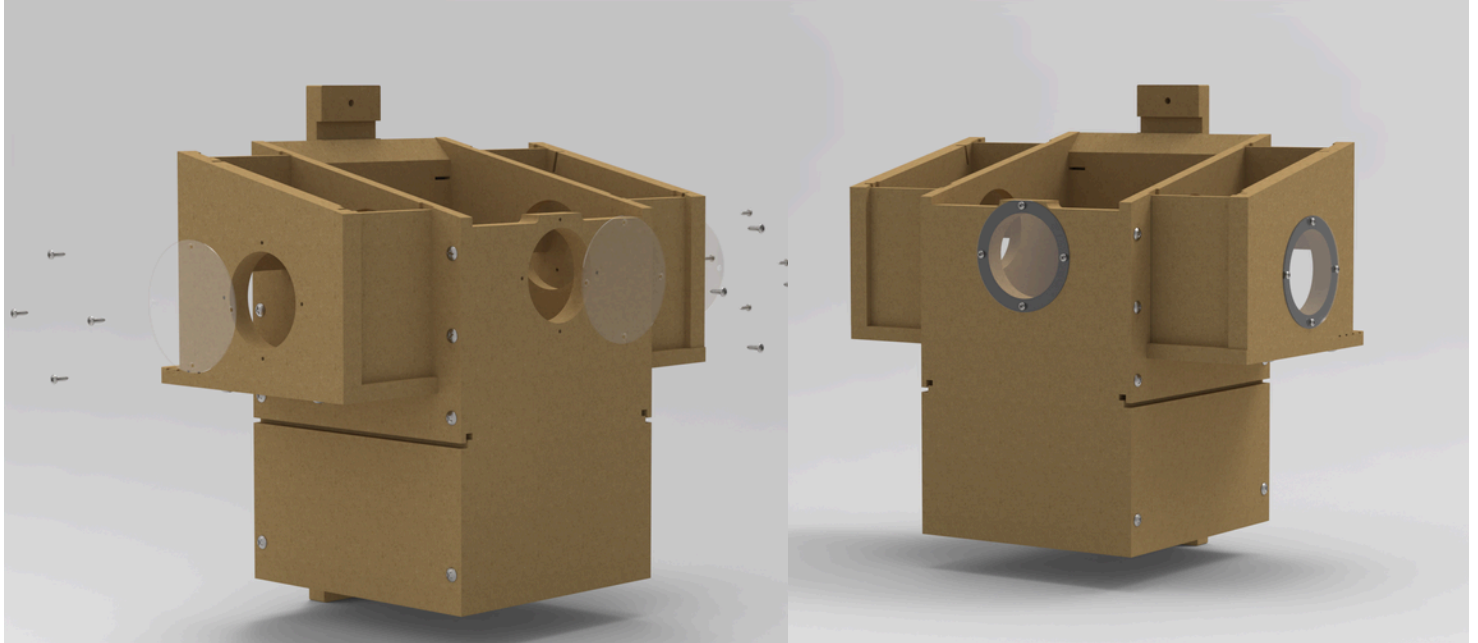


Slide the parts inside its channels

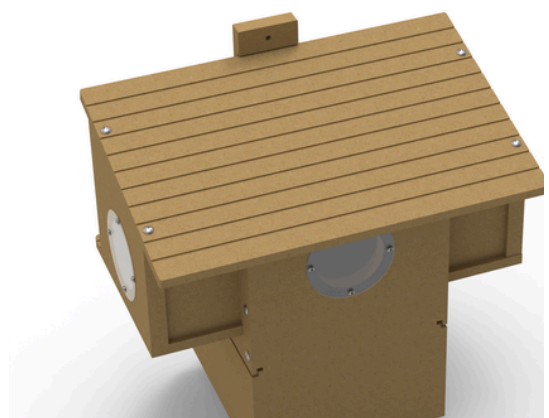




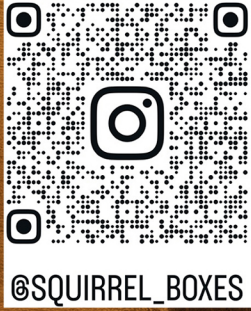
# Installation Guide



Take off the protective blue film before installing the windows.  
Attach the windows with small screws



Screw the roof (part 1) to assembly



# Squirrel Boxes



facebook

## MOUNT WITH CARE

Please be careful when mounting your box to avoid bending or flexing the rear tree hanger. Doing so can place unnecessary stress on material and may cause it to break.

Make sure the box is mounted level so that water can properly drain and not collect inside the hallways. A level installation keeps the

