



# *Squirrel Boxes*

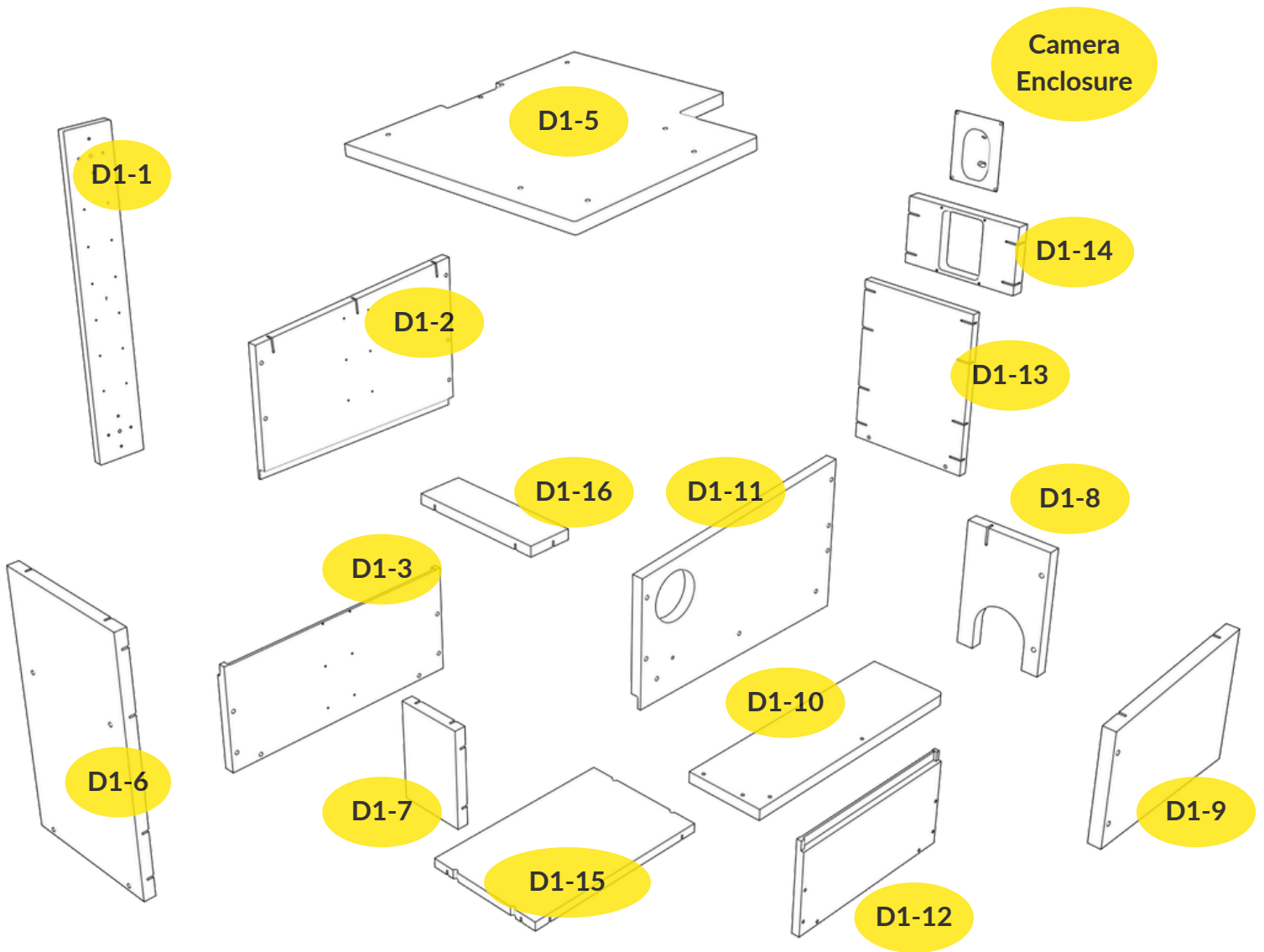
## *Watchtower Drey Installation Guide*





# D1 Camera Box

## Exploded View



**Camera enclosure part numbers:**

SB-CAME-BLINK details: blink camera enclosure blink outdoor 2k / blink outdoor 4

SB-CAME-Google-nest-outdoor details: google nest outdoor camera enclosure

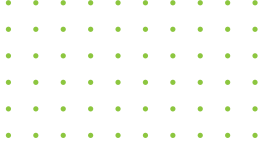
SB-CAME-ARLOP6 details: arlo pro 6 outdoor camera enclosure

SB-CAME-ARLOE details: arlo essentials outdoor camera enclosure

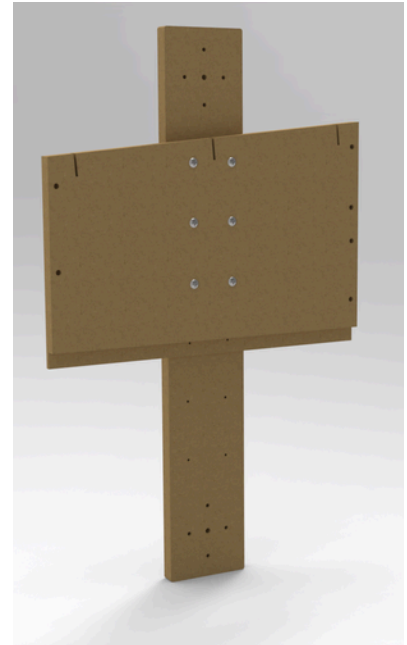
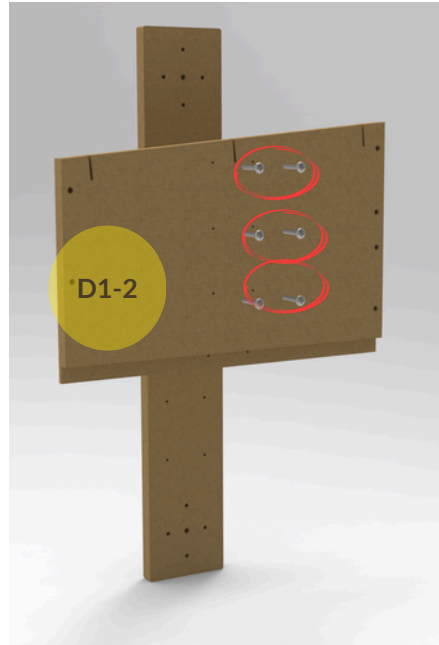
SB-CAME-ARLOGO2 details: arlo go2 outdoor camera enclosure

SB-CAME-RINGOP details: ring outdoor plus camera enclosure

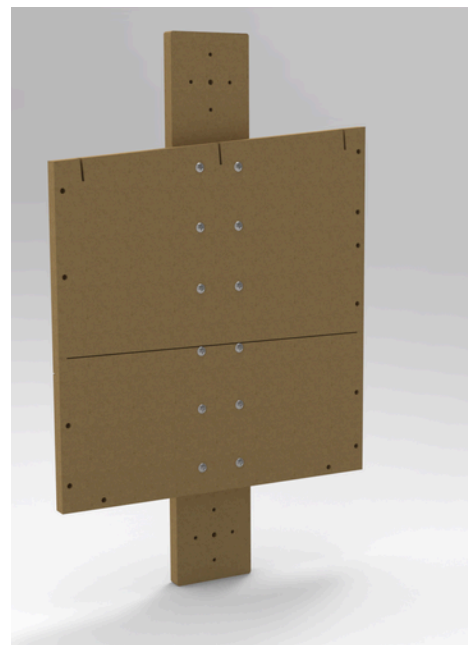




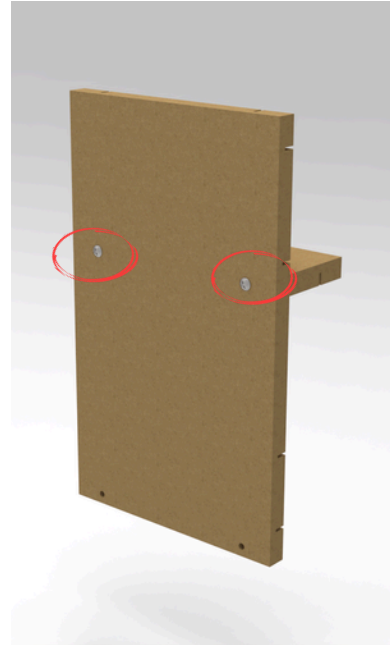
# Installation Guide



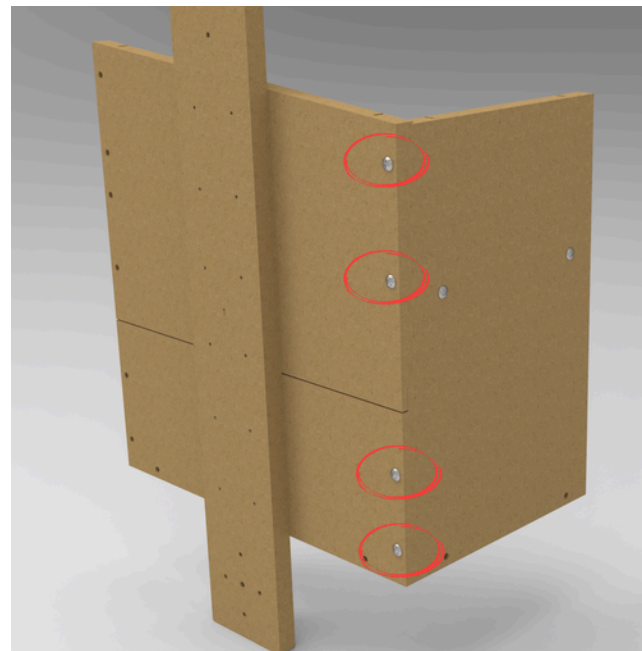
**Attach part D1-2 to part D1-1**



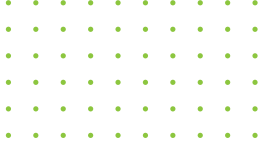
**Attach part D1-3 to Assembly**



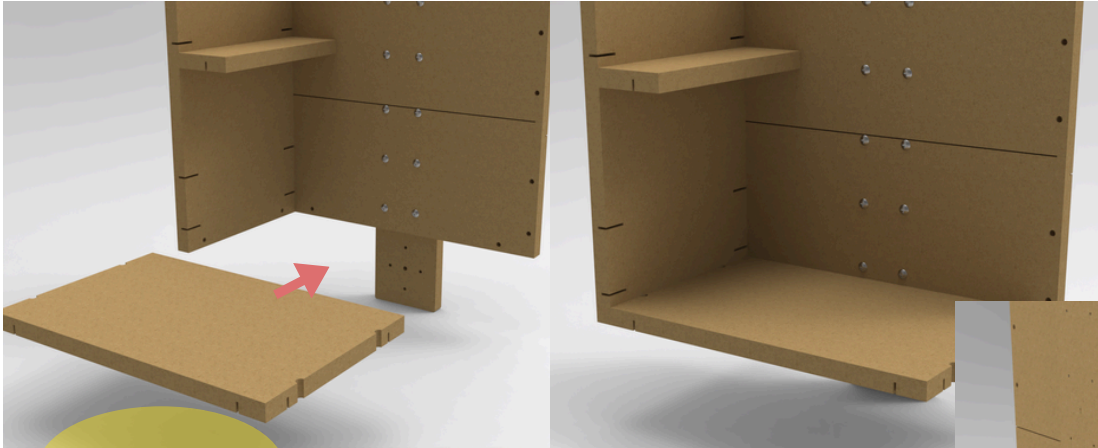
**Screw the part D1-16 to D1-6**



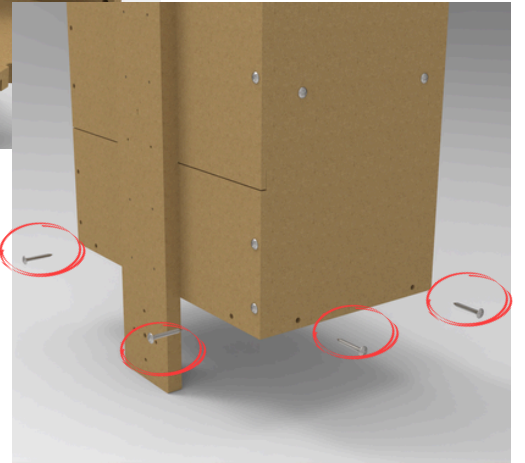
**Screw the part D1-6 assembly to main assembly.**



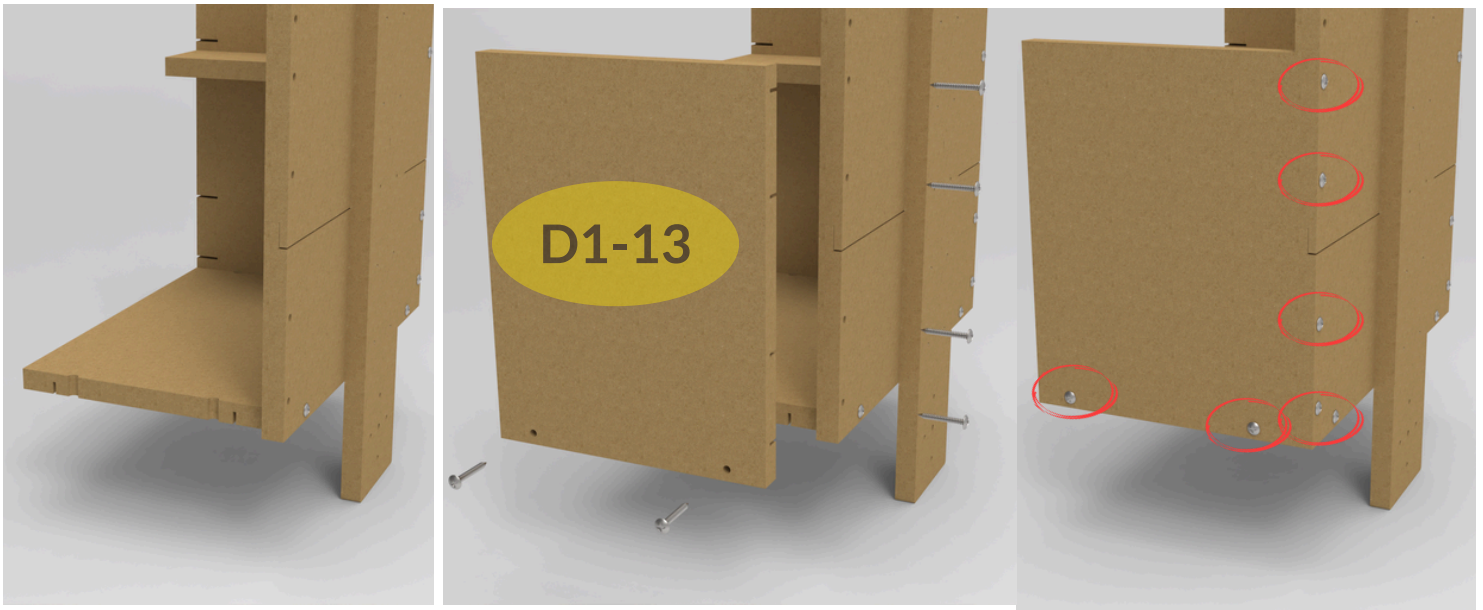
# Installation Guide



D1-15



Attach D1-15 to assembly .



Screw the D1-13 Assembly to main assembly

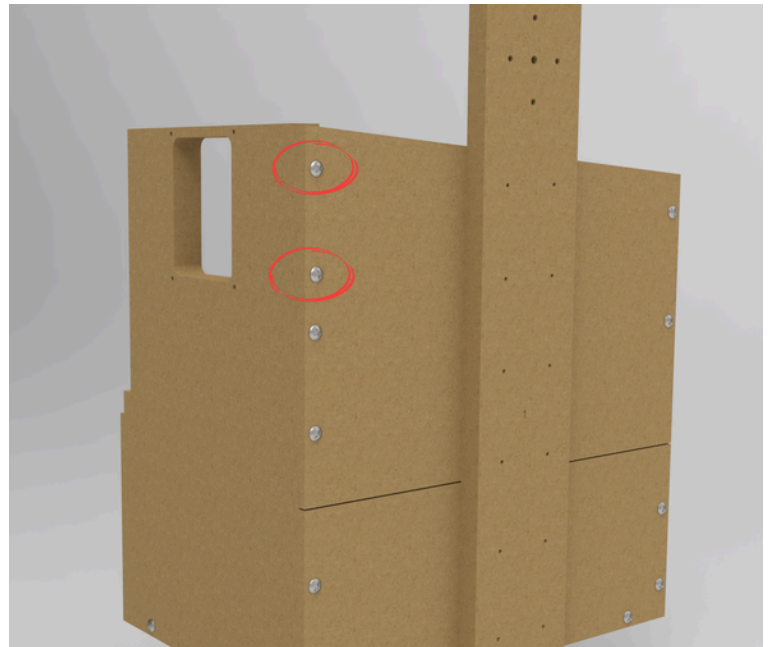
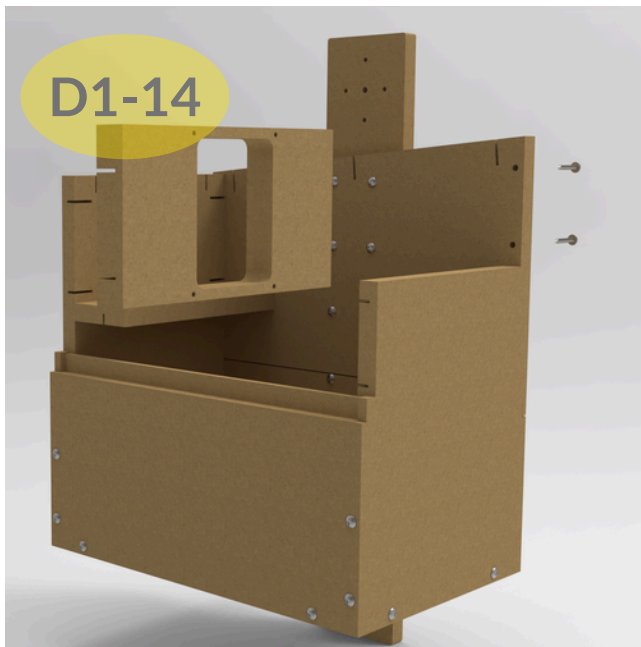




# Installation Guide

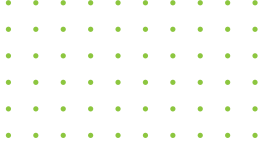


Slide D1-12 into assembly.

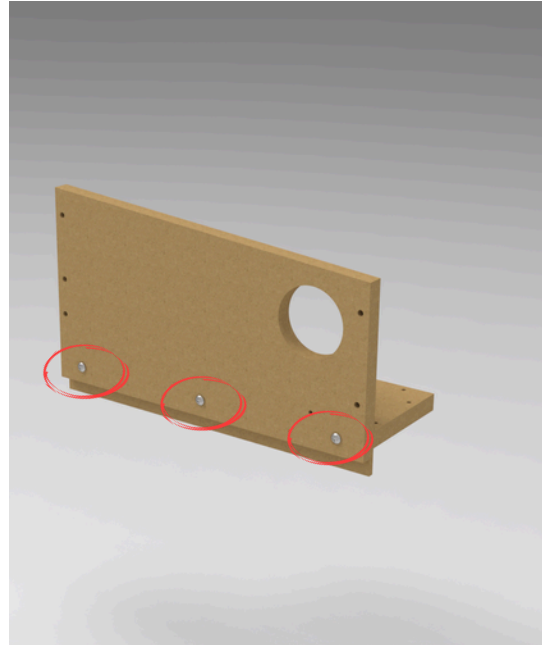
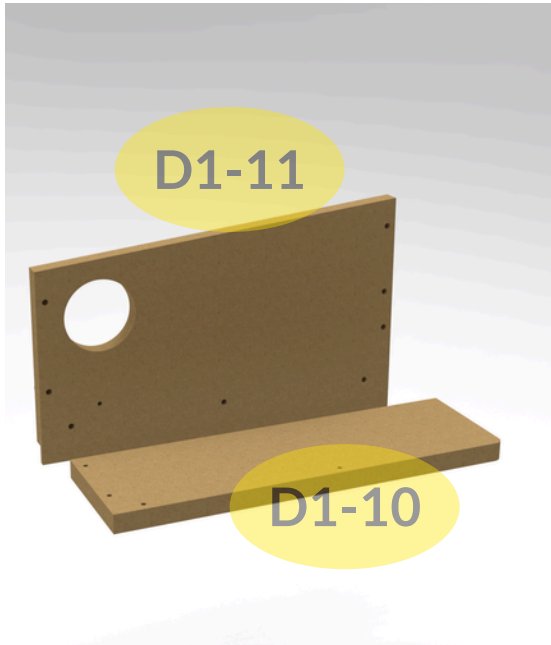


Slide D1-14 into assembly.

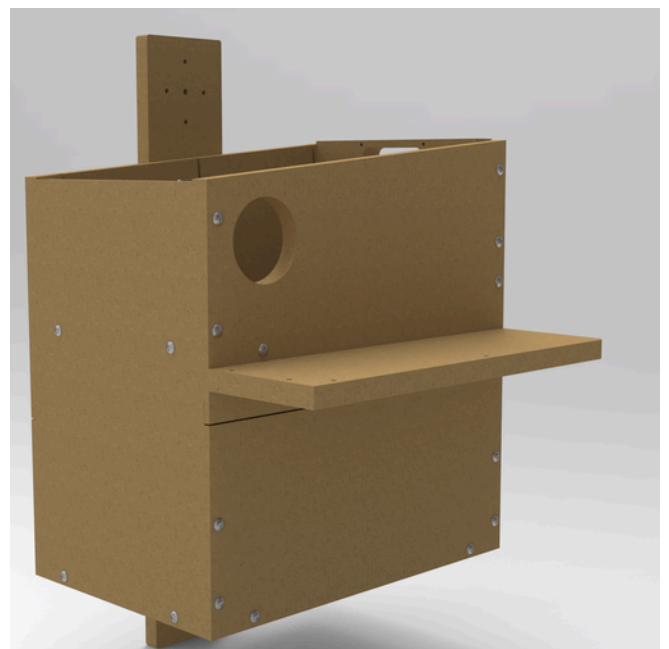
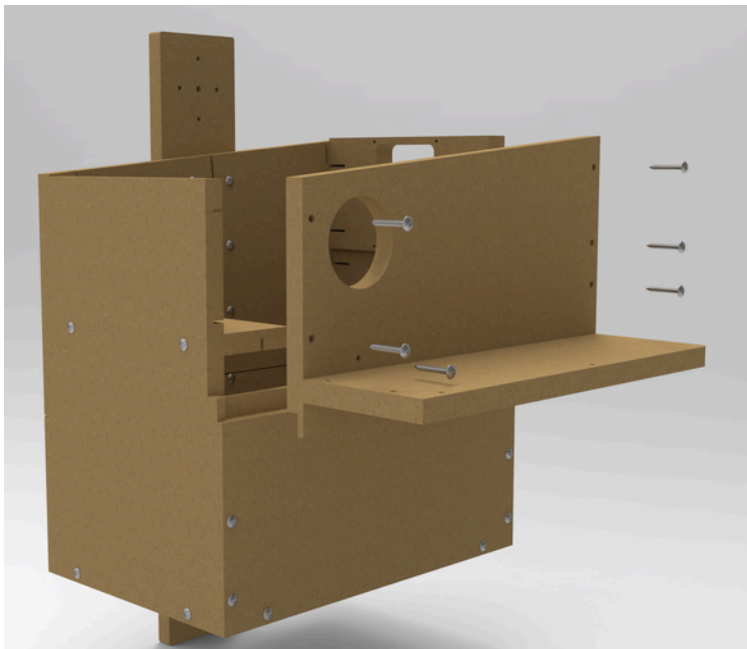




# Installation Guide

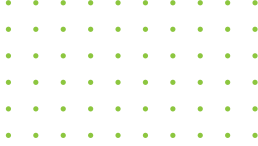


**Attach D1-11 to D1-10.**

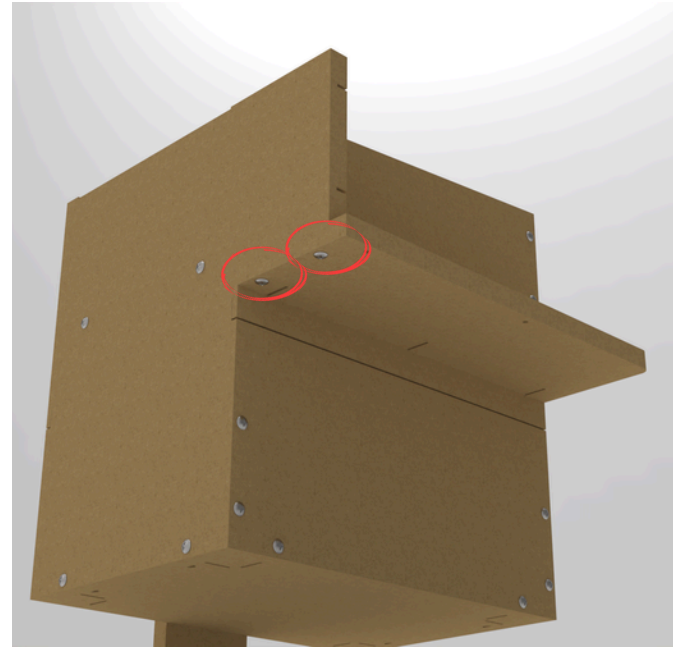
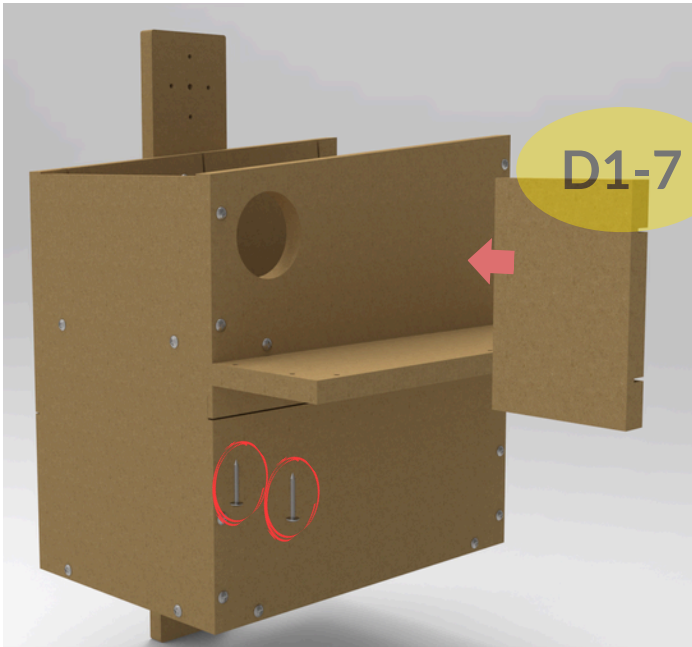


**Screw this sub assembly into assembly.**

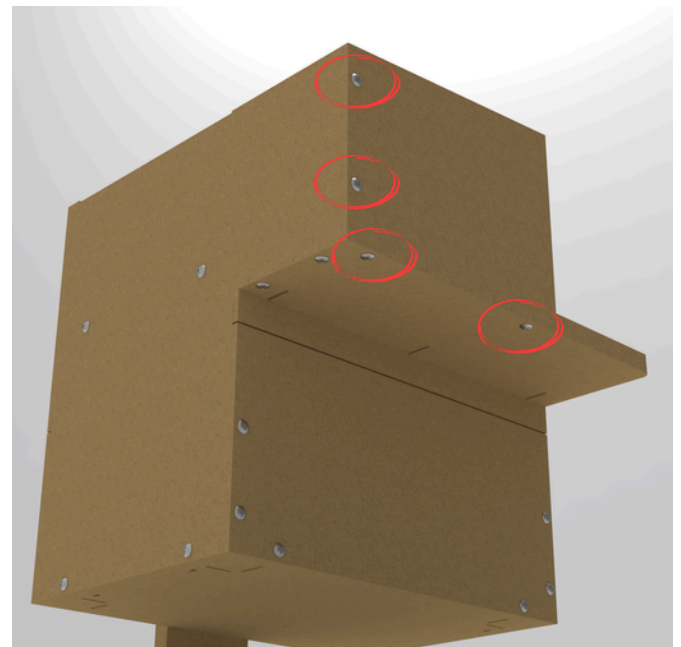
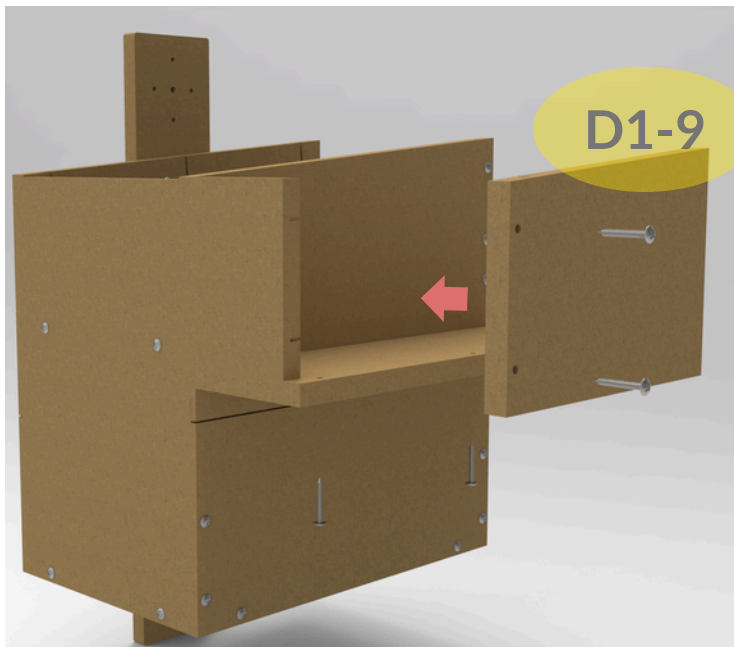




# Installation Guide



Screw D1-7 into assembly.

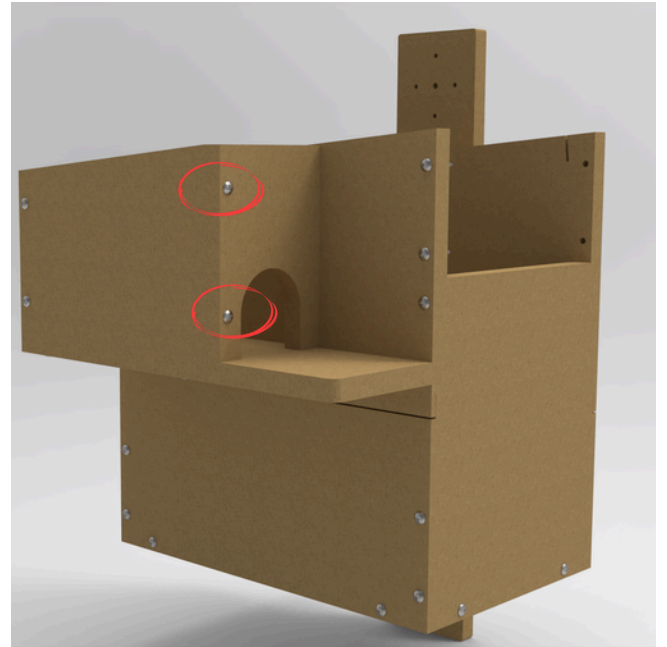
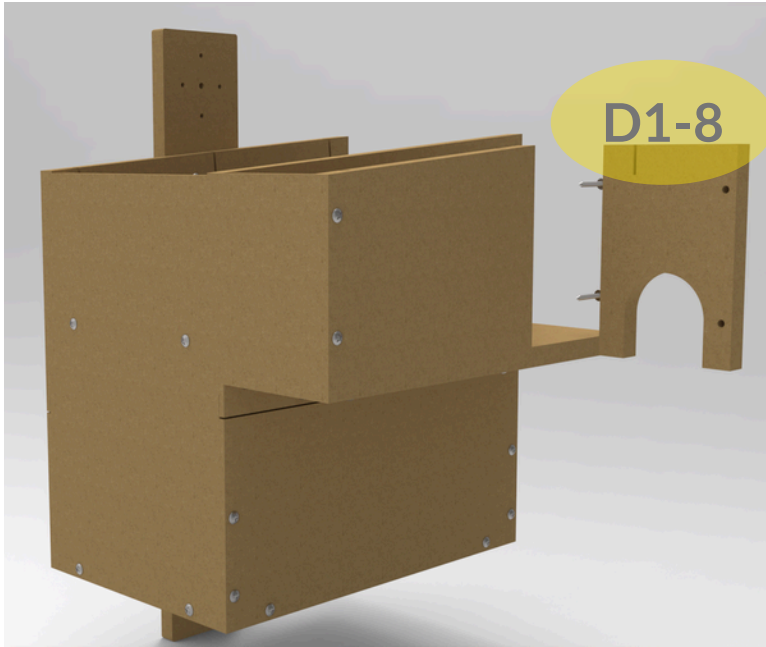


Screw D1-9 into assembly.

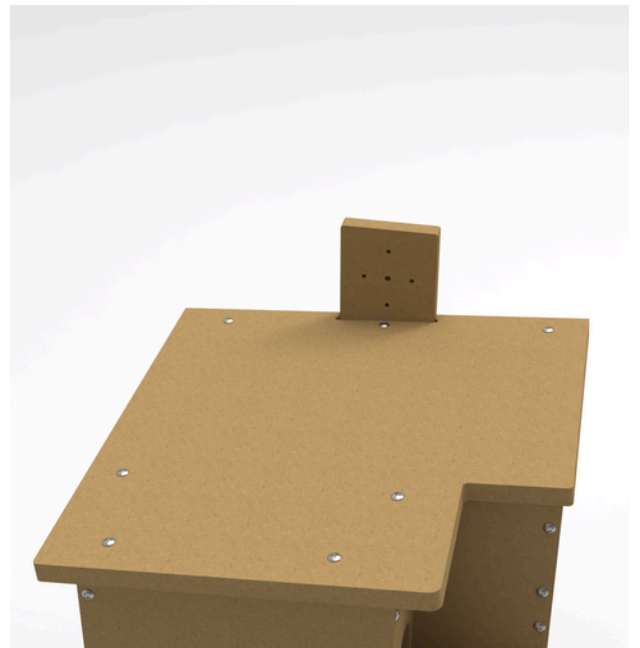
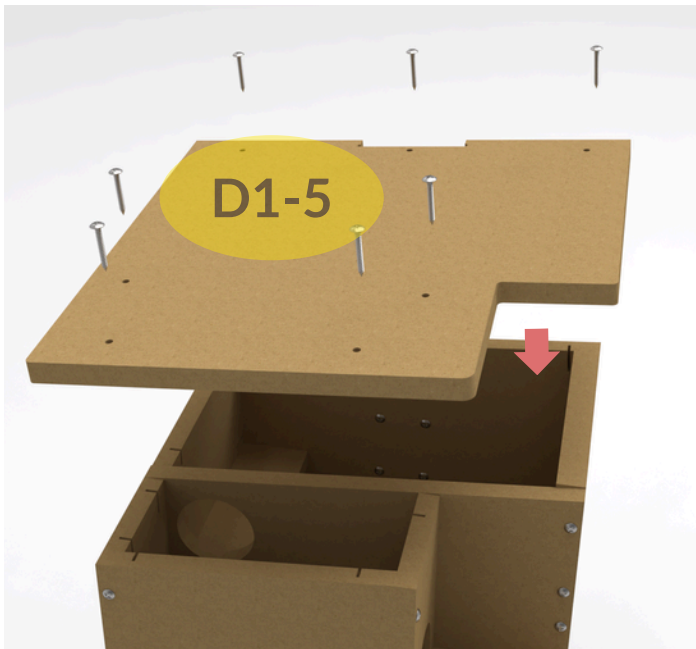




# Installation Guide



**Screw D1-8 to assembly.**

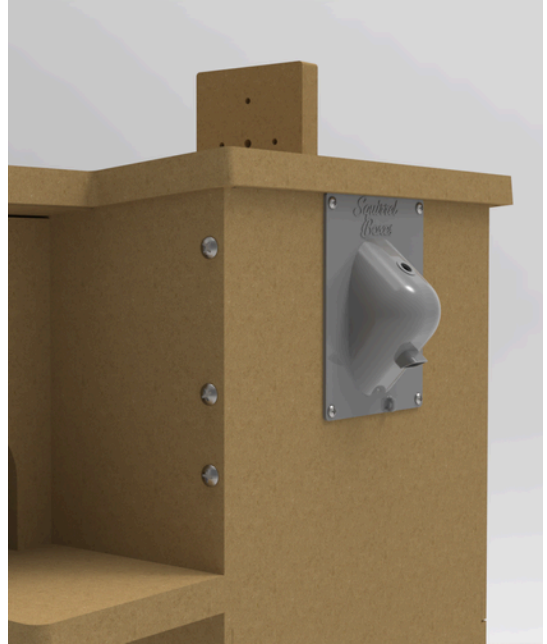
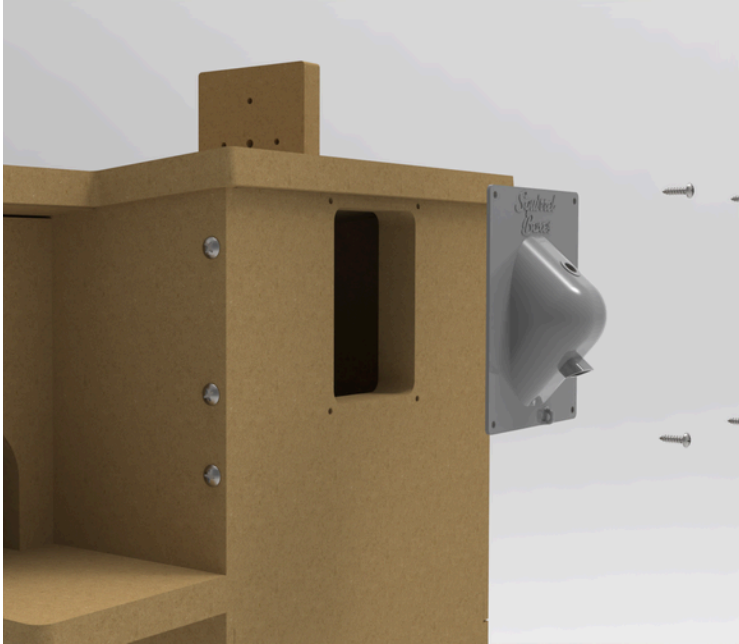


**Screw D1-5 into assembly.**





# Installation Guide



**Screw the camera enclosure**