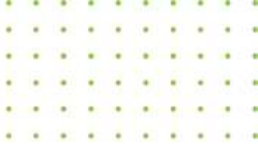




# *Squirrel Boxes*

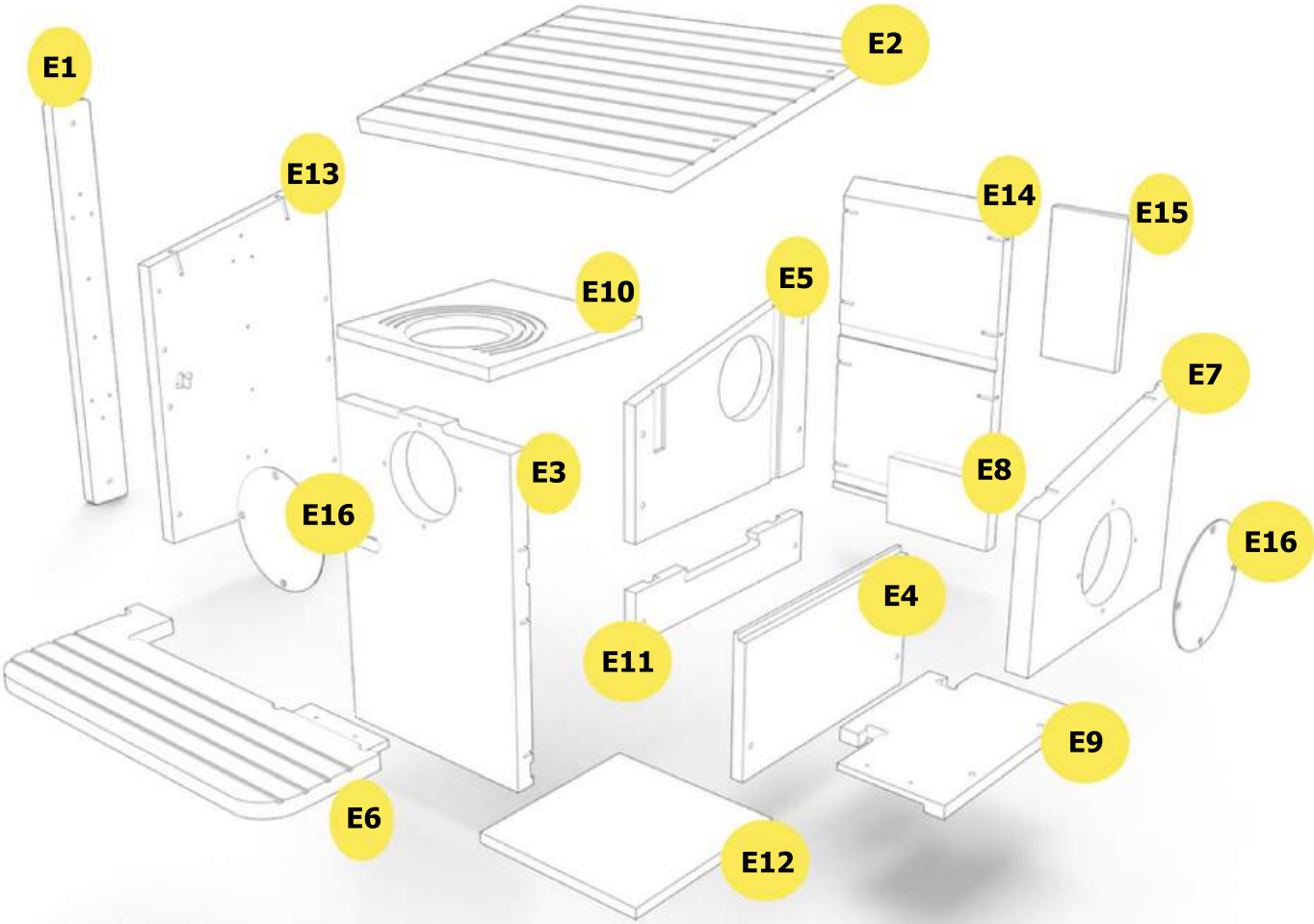
## *Economy Lodge Installation Guide*





# Economy Lodge

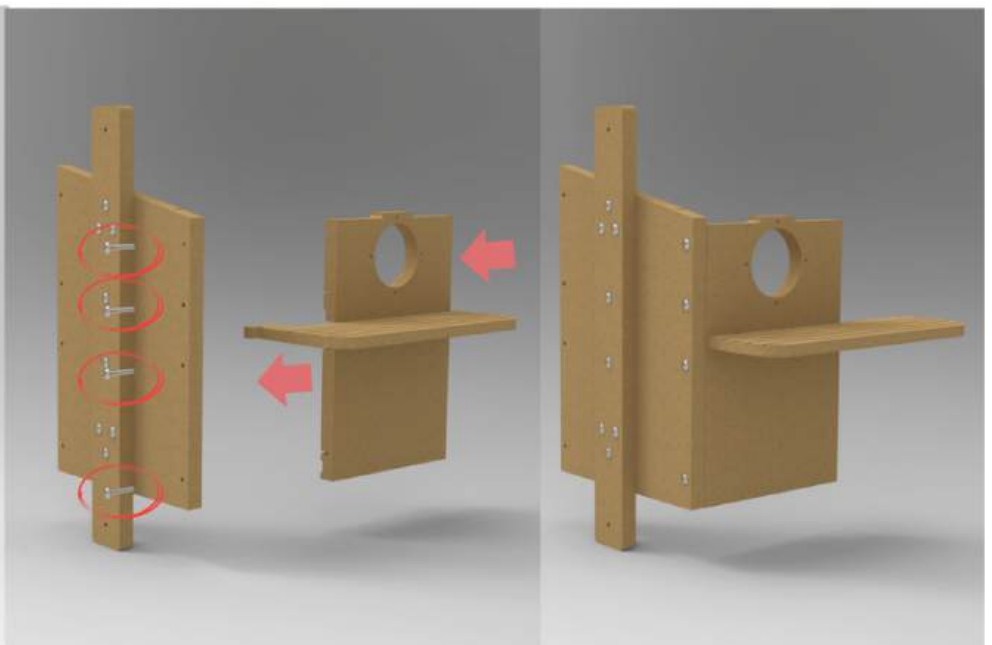
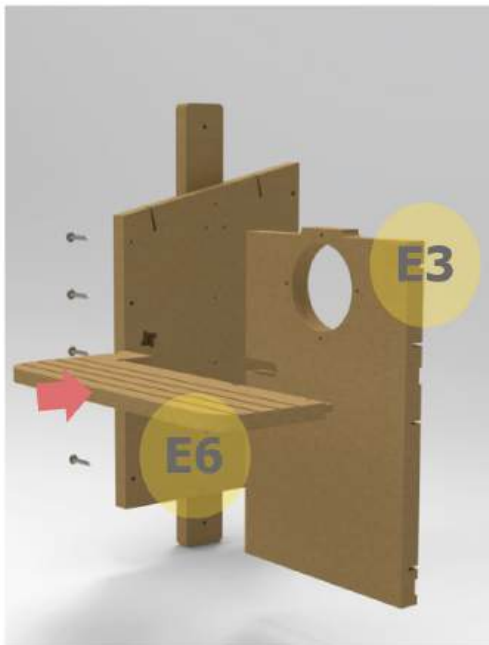
## Exploded View



# Installation Guide



**Attach part E1 to part E13**  
**Line two screws up before**  
**screwing the remaining screws in**

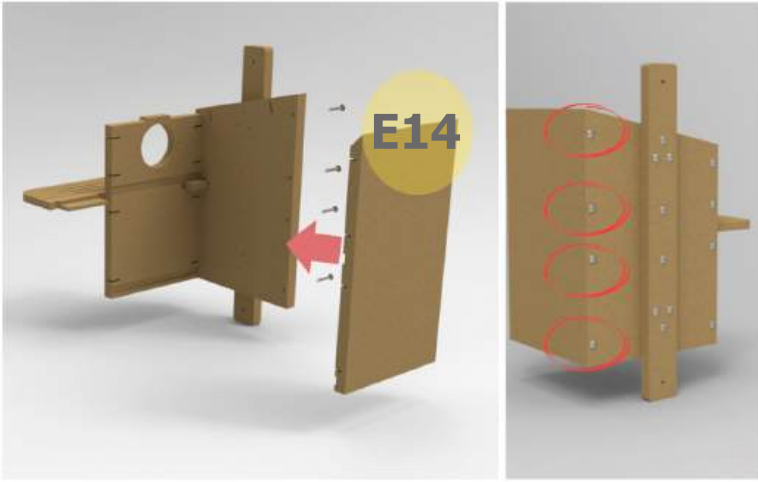
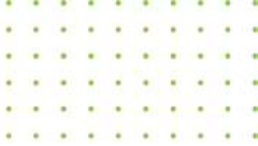


**Attach E6 to E3**

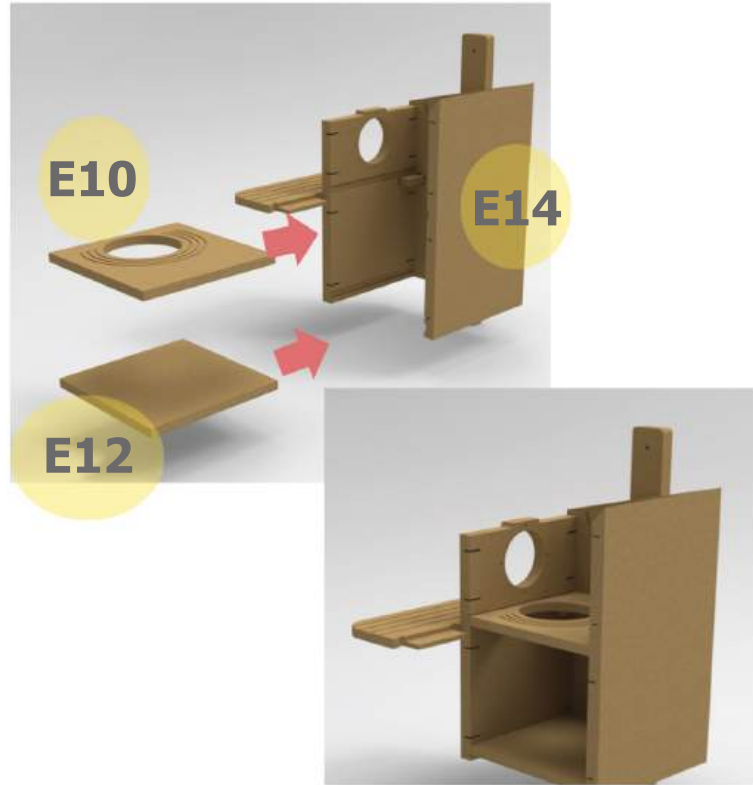
**Screw the assembly together**

**Make sure the slots are flush**  
**before screwing to prevent**  
**splitting the material**





**Line Slots up with Screws  
Screw Part E14 to E13**

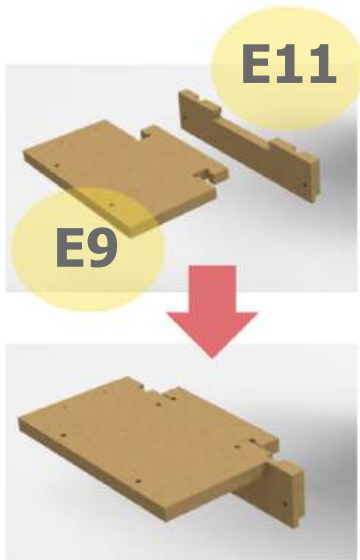


**Slide E12 and E10 Channel  
Hole Facing Front hole  
as shown here**

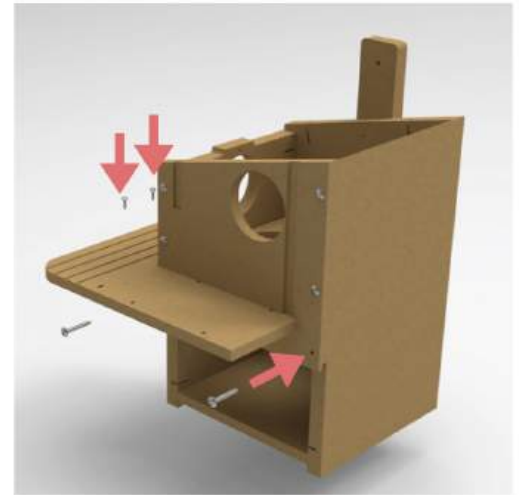
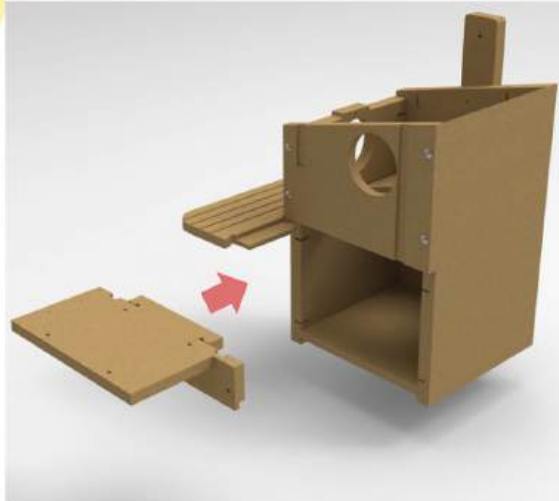


**Screw Part E5 to Assemble  
Start with the back screws  
Line up the front screws  
to the slots before screwing**

# Installation Guide



**Attach E9 to E11**  
**May take a little force**

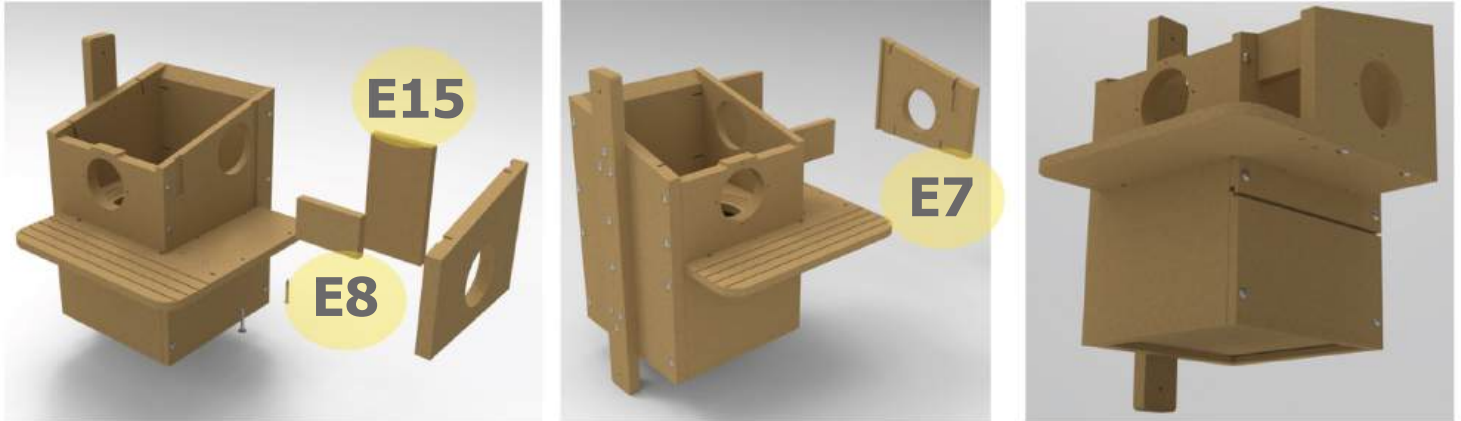


**Screw two included**  
**3/4 inch screws**  
**Screw E9 into**



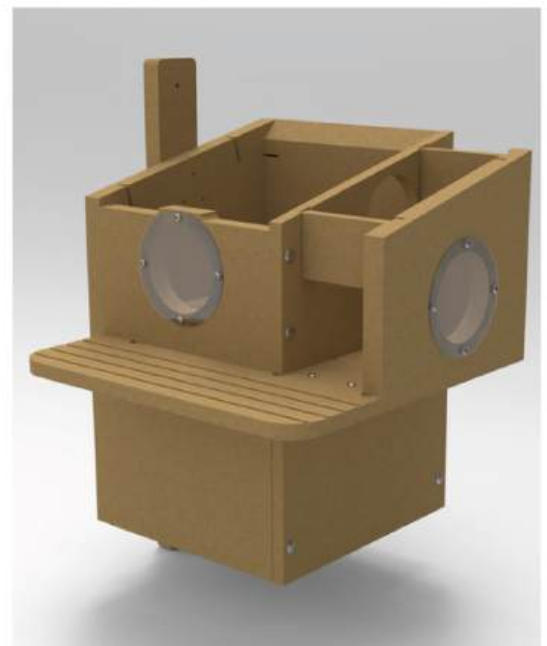
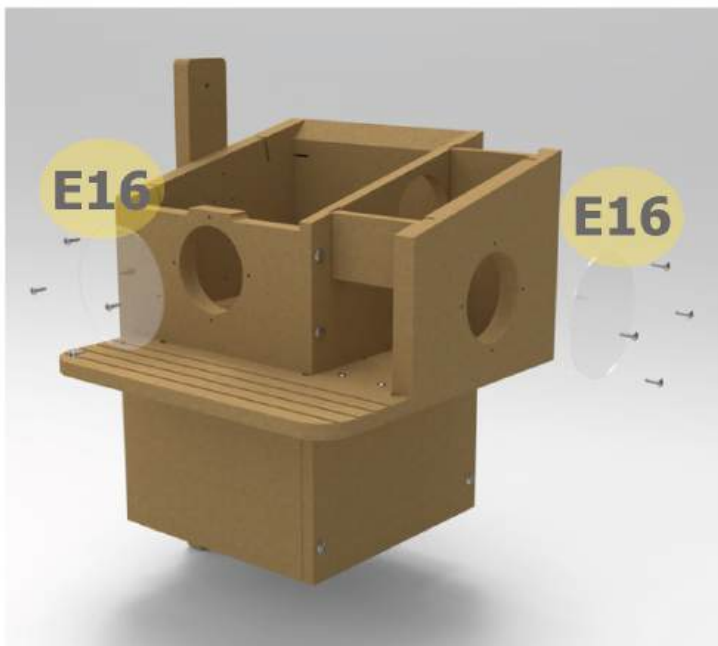
**Screw E4 into sides**  
**There will be a gap to allow air flow**

# Installation Guide



## Attach E7

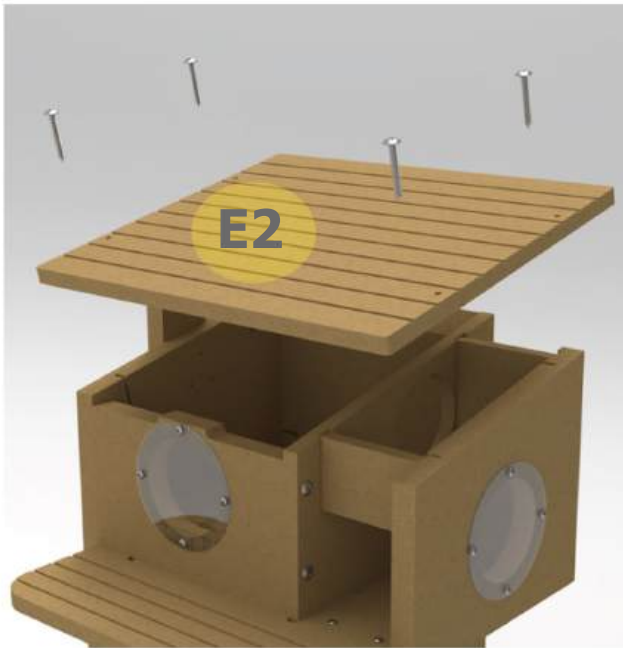
slide E8 and E15 into place



**Remove Paper Covers from Plastic Windows**

**Attach Windows before the Roof**

# Installation Guide



**Screw the roof (Part E2) to finish the Assembly**

**Two Circles are included to place behind the back board to level out the box before screwing into the tree**

